



Bambi

B U C K E T[®]

Driven by Innovation

BAMBI BUCKET

Models 5566 – 7590

SERVICE MANUAL

2025A

BAMBI BUCKET SERVICE MANUAL

**Models 5566-7590
Version: 2025A
Part Number: 017005**

Maintenance Level: Organizational (O)

PLEASE READ BEFORE USING.

This manual is applicable to the following models:

BB5566 (# 007159)

BB680K (# 007160)

BB6578 (# 007161)

BB7590 (# 007162)

Physical copies of this manual (#000511) are available from SEI.
This manual is available on the SEI website.
Register for manual update notifications at bambiupdate@sei-ind.com

SEI INDUSTRIES LTD.

7400 Wilson Avenue
Delta, B.C. Canada
V4G 1H3

Phone: (604) 946-3131
Fax: (604) 940-9566
E-Mail: sei_sales@dartaero.com
Website: www.bambibucket.com

COPYRIGHT © 2025 SEI INDUSTRIES LTD. ALL RIGHTS RESERVED

Revision Summary

Version	Release Date	Revision Description	Pages	App.
2025A	24-Feb-2025	<ul style="list-style-type: none">Separated models 5566-7590 with new standard head	-	AS

VALIDATION OF OPERATIONS DESCRIBED IN THIS MANUAL

The maintenance operations described in this manual have been checked in manufacturer's workshops by an exact carrying out of dismantling, reassembly, test and repair instructions which are detailed in this document.

These operations are those in use at the latest revision date of the document.

Table of Contents

Section 1: Introduction	1
Bambi System Drawing	2
Dump Valve Operation	3
Control Head Operation	4
Section 2: Deploying the Bambi Bucket	7
Attaching to the Cargo Hook	7
Connecting Power	8
Longlines	8
Checking Tail Rotor Clearance	9
Instant Deployment System (IDS)	10
Section 3: Accessories	11
Foam Injection Systems	11
Power Pack	13
Section 4: Making Adjustments	15
Adjusting the Dump Valve Udder	15
Adjusting Purse Strings	15
Section 5: Packing and Storage	17
Packing the Bucket	17
Storing the Bucket	20
Section 6: Troubleshooting Guide	21
Valve Troubleshooting	21
Control Head Troubleshooting	22
Section 7: Repair Assessment Guide	25
Overview of Repair Categories	25
Control Head Repair Criteria	26
Cables Repair Criteria	27
M-Straps/Top Chains Repair Criteria	28
IDS Repair Criteria	29
Bucket Shell Repair Criteria	30
Cinch Strap Repair Criteria	31
Valve Repair Criteria	32
Section 8: Repairs	33

Control Head Repairs.....	33
Valve Repair and Replacement.....	46
Shell Repairs	49
Section 9: Specifications and Parts.....	57
Capacity and Weight Specifications	57
Bolt Torque Specifications	57
Parts	58
Section 10: Drawings.....	77
Section 11: Warranty	81

THIS PAGE INTENTIONALLY LEFT BLANK

Section 1: Introduction

Section 1: Introduction

This manual provides information on the service and maintenance of Bambi Bucket models 5566 to 7590. This service manual also includes all parts lists and installation drawings. A separate Bambi Bucket operations manual is also supplied which should be carried on-board the helicopter.

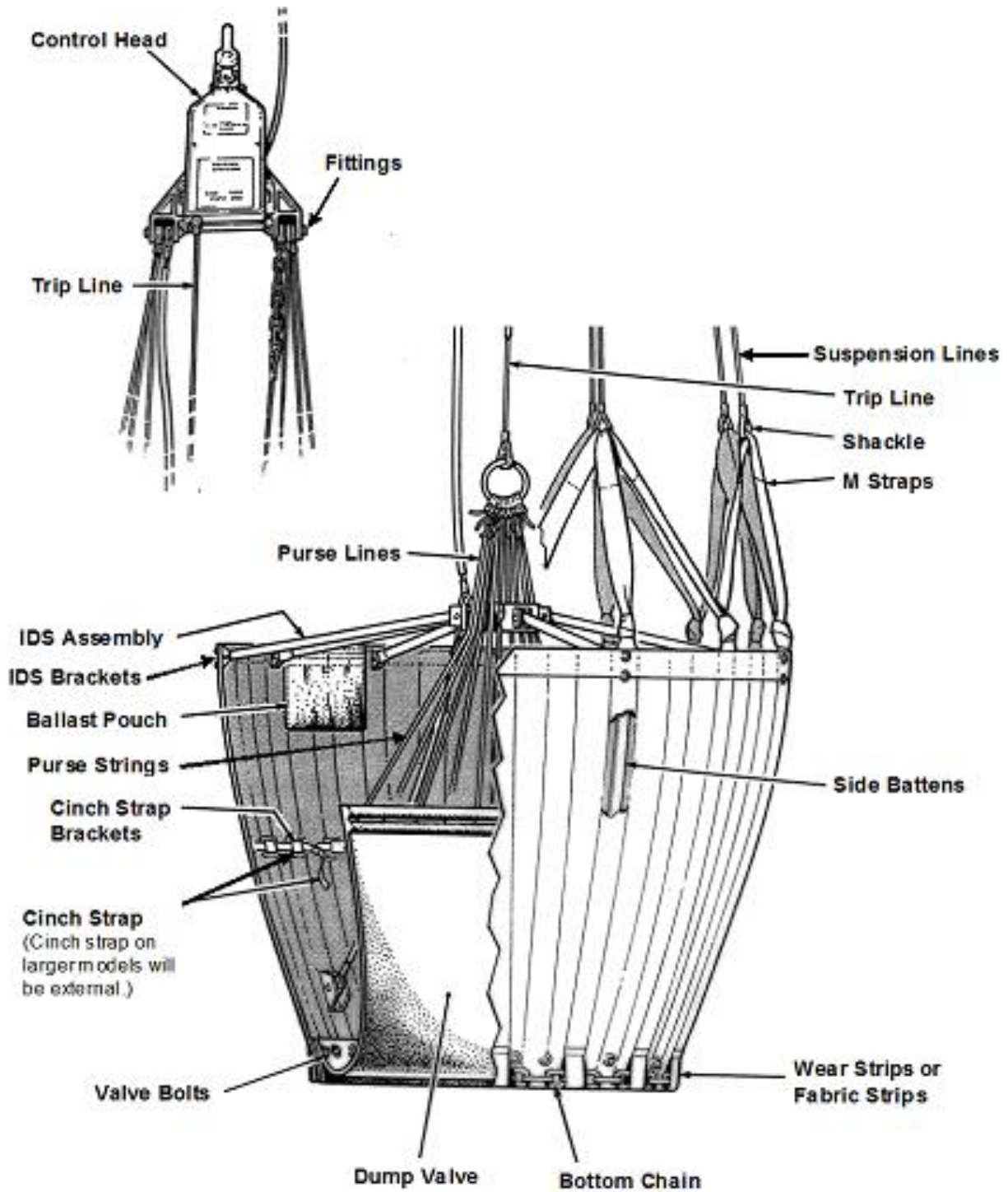
For your own protection, and for longer bucket life, always read the instructions and warnings. Ignoring these warnings could result in personal injury, bucket damage or aircraft damage.

SEI Industries Ltd. offers complete parts supply and repair services for the Bambi Bucket. For a repair facility in your area, please contact SEI. For maintenance and repair purposes, parts diagrams and descriptions are provided in this manual.

When you are ordering parts, please provide the model and serial number of your Bambi Bucket as shown on the data tags located inside the bucket shell.



Bambi System Drawing

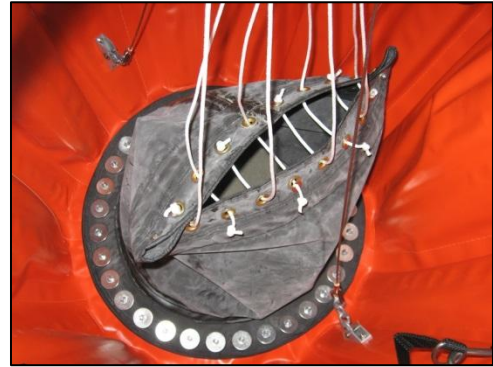


Section 1: Introduction

Dump Valve Operation

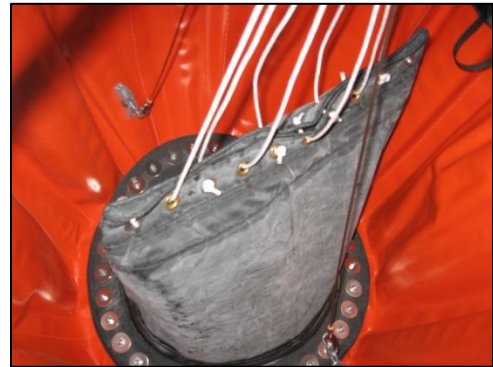
The Bambi Bucket uses a tubular fabric valve to control the flow of water exiting the bucket. The lower end of the tube has a flange which is attached to a circular opening in the bottom of the bucket.

The upper opening of the tube is flattened and has a series of grommets and purse strings laced alternately from each side. The lower end of each string terminates in a washer and a knot. Each string passes through a grommet in one side of the tube, crosses the opening, and passes through a corresponding grommet on the other side of the tube.



The upper ends of the purse strings are attached to a metal ring. This ring is also attached to the riser cable.

When the riser cable is pulled upwards, it pulls the ring and puts tension on the purse strings. This draws together the top faces of the tube and a rubber layer below the grommets seals the upper end of the tube.



When the bucket is dipped and filled with water, the water pressure in the bucket presses on the outside of the tube and reinforces the seal.

To open the valve, the tension on the riser cable is released, allowing the riser, purse strings and valve tube to move downwards due to the weight of the water in the bucket.

The valve tube turns inside out and extends below the bottom of the bucket. The flattened end of the tube returns to a circular shape allowing all the water to exit the bucket.

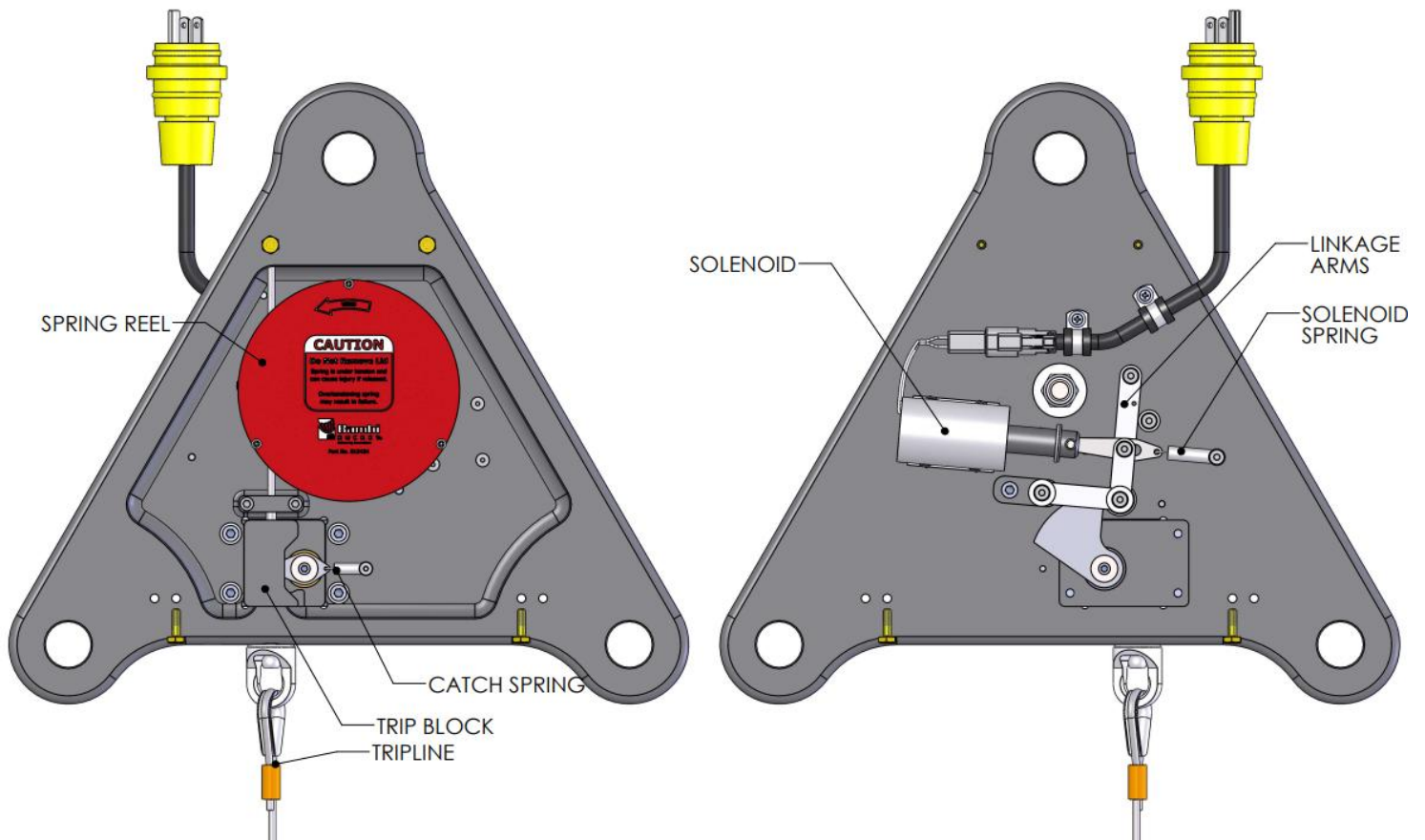
When all the water has exited the bucket, the riser cable pulls the valve tube back to its starting position.



Section 1: Introduction

Control Head Operation

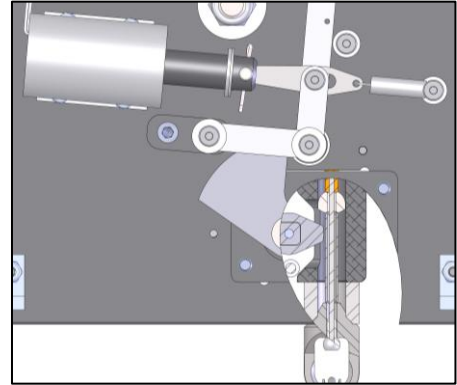
The control head regulates the operation of the dump valve by raising and lowering the riser cable. The upper end of the riser is attached to the lower end of the Tripline assembly. The upper end of the Tripline is attached to the Spring Reel which winds the Tripline onto a cable drum.



In the middle of the Tripline is the bullet assembly. When there is no water in the bucket, the Spring Reel winds up the Tripline until the lower end of the bullet assembly reaches its limit on the bottom of the trip block.

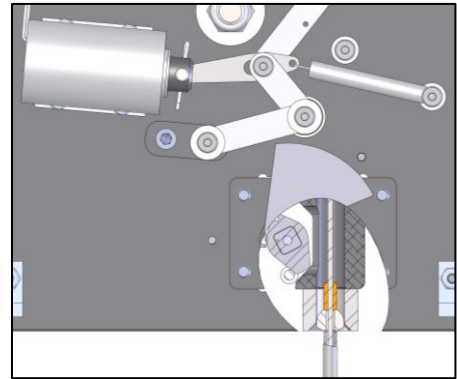
Section 1: Introduction

When the bucket is filled with water, the pressure pulls down on the valve, riser and Tripline until the upper end of the bullet assembly engages the mechanical catch. The mechanical catch is locked in place by the linkage arms.



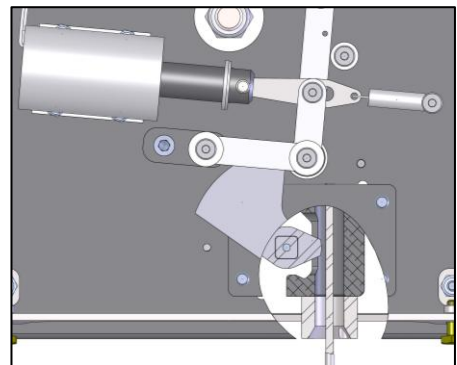
To dump the valve, an electrical signal is sent to the solenoid which pulls up on the linkage arms and unlocks the catch.

The weight of water in the bucket pulls down on the valve, riser and Tripline. The upper end of the bullet assembly pushes past the spring-loaded catch and the Tripline unwinds from the Spring Reel allowing the dump valve to fully open.

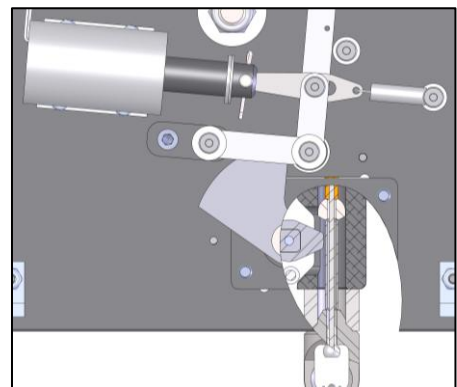


When the electrical signal to the solenoid is removed, springs return the linkage arms, solenoid, and catch to their original positions.

When all of the water has left the bucket, the only downward force remaining on the Tripline is the weight of the valve and riser. This weight is overcome by the Spring Reel which winds up the Tripline, riser and valve.



As the bullet assembly re-enters the head, it pushes past the spring loaded catch. The Tripline continues to retract into the Spring Reel until the lower end of the bullet assembly reaches its limit on the trip block. The head is now latched and ready for another fill.



THIS PAGE INTENTIONALLY LEFT BLANK

Section 2: Deploying the Bucket

Section 2: Deploying the Bambi Bucket

Attaching to the Cargo Hook

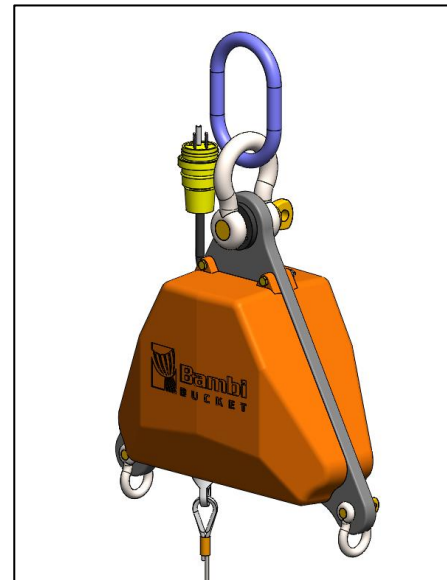
The Bambi Bucket is rigged for a lateral cargo hook. Correct attachment is indicated when the engraving “FWD” is facing forwards. This ensures that the ballast on the Bambi will face forward in flight.

CAUTION

The Bambi Bucket may not be suitable for a direct hook-up to the cargo hook. The actual hook-up will be different for various aircraft and operators must comply with all instructions and bulletins supplied by the aircraft manufacturer. It is the operator’s responsibility to ensure that the Bambi Bucket is correctly fitted to the helicopter.

Control Head Orientation

If the cargo hook is facing in the wrong direction, a master link or second shackle can be used to turn the bucket 90 degrees. If using a swivel hook, always operate in the locked position to assure that the ballast is always facing forward in flight.



WARNING

Ensure that any additional shackles are rated with a minimum safety factor of five for the gross weight of the bucket as shown on the data plate.

Section 2: Deploying the Bucket

Connecting Power

The Bambi Bucket requires a 24 VDC power source capable of supplying 5 A.

There are four types of suggested wiring installations (see *Section 10: Drawings*):

1. **Pilot control:** The control is wired into the pilot's control column through a relay.
2. **Pilot control (US InterAgency):** The control is wired into the pilot's control column through a 50 ampere relay as per US interagency regulations. This system can also be used to control a heli-torch, etc.
3. **Crew control:** A crew member or pilot controls the dumping of the bucket using power from the helicopter and a remote switch.
4. **Crew control (remote power supply):** A crew member or the pilot controls the dumping of the bucket using a battery pack to supply the power to the remote switch.

The Bambi Bucket's electrical supply is connected through a breakaway plug. The purpose of the plug is to offer a clean "breakaway" if the Bambi Bucket has to be jettisoned from the aircraft in an emergency. To ensure that wind action does not separate the plug, it is suggested that the plug be lightly taped together with vinyl tape while in use.

To check for continuity in the connections, push the momentary contact switch. A clicking sound should be heard from the control head.

NOTICE

To operate the solenoid and release the water, a momentary contact switch is used. The solenoid has a 10% duty cycle. Operating the solenoid continuously will result in solenoid failure.

Longlines

NOTICE

If using a longline, the minimum recommended length is 50 ft (15 m).

When using a longline, select the correct gauge of control cable from the following chart.

Wire Length		Wire Type	Connectors	
Feet	Meters		Top	Bottom
0–100	0–30	14/2 SOW	NEMA 5-15P	NEMA 5-15R
101–200	30–61	12/2 SOW	NEMA 5-15P	NEMA 5-15R

When using a synthetic rope longline, it is recommended that a protective cover be used and the control cable be inserted at the time of manufacture. However, if this is not feasible, it is recommended to secure the cable using tape at 3 ft (1 m) intervals along the longline. It is not recommended to use zip ties as they tend to damage the cover and longline. When attaching the control cable, allowances must be made for any stretch in the load bearing line. When the control cable is taped to the outside of the longline, the flight characteristics can change.

Section 2: Deploying the Bucket

Checking Tail Rotor Clearance

WARNING

Using a Bambi Bucket with insufficient tail rotor clearance could result in a tail rotor strike which could result in serious injury or death.

When a Bambi Bucket is attached directly to the helicopter cargo hook or attached using a longline less than 50 ft (15 m) in length, it is important to confirm that there is adequate tail rotor clearance. Before using the Bambi Bucket, check the tail rotor clearance.

1. Determine the tail rotor length by measuring the distance from the cargo hook to the closest point on the helicopter tail rotor.
2. Determine the bucket overall length from the following chart:

Model	Overall Length	
BB5566	24'- 0"	7.32 m
BB680K	24'- 0"	7.32 m
BB6578	24'- 2"	7.37 m
BB7590	30'- 3"	9.21 m

*Lengths are accurate to within 1%. Specifications subject to change.
If a firesock is used, add 8" (0.20 m) to the above dimensions.*

To confirm the bucket overall length, stretch out the bucket on the ground, pulling the suspension cables taut. Measure the distance from the shackle on the head to the bottom of the extended dump valve. If a firesock is attached, measure to the bottom of the firesock.

3. The tail rotor clearance is equal to the tail rotor length minus the bucket overall length.
4. **The tail rotor clearance must be a minimum of 6" (0.15 m).**

If the tail rotor clearance is insufficient, shorter suspension lines, riser, ring and restrainer, and deployment lines must be used and can be ordered from SEI. Please specify the model and serial number when ordering parts.

Section 2: Deploying the Bucket

Instant Deployment System (IDS)

The instant deployment system uses a hub and spoke mechanism to automatically expand the mouth of the bucket as soon as the weight of the Bambi Bucket is taken up by the suspension cables.

When the bucket is full, the IDS deployment cable and IDS restrainer cables should be slack as they should not bear any load. Their function is to position the hub and spoke mechanism to hold the bucket open.

To deploy the IDS on the ground, reach in-to the bucket, grasp the hub of the IDS and pull outward fully until the two restraining cables from the hub to the lower bucket shell are tight.

The IDS restraining cables are set at the factory and normally should not require any adjustment.



Section 3: Accessories

Section 3: Accessories

Accessories are optional. Not included with the Bucket.

Foam Injection Systems

Sacksafoam is a foam injection system that uses a pump to dispense a controlled amount of foam concentrate from a reservoir into the water in the bucket. The operation of the Sacksafoam is controlled by the pilot through a control unit, which is mounted in the cockpit. There are two models of Sacksafoam available depending on the location of the foam concentrate reservoir.

Sacksafoam Bladder

The Sacksafoam Bladder uses a collapsible reservoir located in the bucket. An internal check valve stops water from flowing into the bladder and insures that foam is dispensed only while the injection pump is operating. Because the foam in the bladder displaces the water in the bucket, the total gross weight is always constant.

The Sacksafoam bladder interfaces with the Sacksafoam controller. Dispensing can be controlled directly from the controller screen or a remote switch.



Bucket Model	Part #	Reservoir Capacity			Gross Weight		Power
		Imp Gal	USG	Liters	lb	Kg	
BB5566	004340	60	72	273	621	282	5 A @ 28 VDC
BB680K							
BB6578							
BB7590							

See the following chart for recommended longline wire sizes for the Sacksafoam Bladder.

Wire Length		Wire Type	Connectors	
Feet	Meters		Top	Bottom
0-100	0-30	14/2 SOW	NEMA 1-15P	NEMA 1-15R
101-200	30-61	12/2 SOW	NEMA 1-15P	NEMA 1-15R

Section 3: Accessories

Sacksafoam Heli-Case

The Sacksafoam Heli-Case is a self-contained unit that can be stowed onboard the helicopter. The foam concentrate is stored in a 20 USG tank inside a large plastic case with provision for an extra 5 USG container. The case is designed to prevent foam from contacting the helicopter.

The Sacksafoam Heli-Case interfaces with the Sacksafoam controller which can be mounted directly in control panel or externally by using the supplied blanking plate and harnesses. Dispensing can be controlled directly from the Sacksafoam controller screen or using the remote control grip.



The Sacksafoam Heli-Case can also interface with the Bambi Bucket, allowing the bucket to be actuated using the trigger on the remote control grip.

Bucket Model	Part #	Reservoir Capacity			Gross Weight		Power
		Imp Gal	USG	Liters	Lb	Kg	
BB5566	012743	19	23	87	267	122	15 A @ 28 VDC
BB6578							
BB7590							

Foam Compatibility

The Bambi Bucket is designed to be effective with foam. All materials used in the manufacture of the Bambi Bucket are resistant to the chemical action of foam.

NOTICE

After using foam or retardant in the bucket, it should be washed with fresh water to remove all residue. Foam and retardant can accelerate corrosion and degradation of materials if not removed.

Section 3: Accessories

Power Pack

The Bambi Power Pack is a 28.8VDC, rechargeable power supply that allows the Bambi Bucket or Bambi MAX to be operated independently of the aircraft power.

The plastic case contains a NiMH battery pack and battery charger. The charger operates on either a 120V/60Hz or 240V/50Hz mains power supply. Two power cords are included. One has a NEMA 1-5P plug and the other has a CEE7/16 Europlug.

The Power Pack also includes a dump switch harness to operate the bucket valve, a bucket wiring harness to connect to the bucket, and a grounding harness to ground the system to the airframe to eliminate static charge buildup. All of the wiring harnesses and power cords are stowed inside of the case.

A manually operated circuit breaker located on the front of the case can be used to disconnect the battery power from the bucket harness.



Bucket Model	Power Pack Part #	Specifications			Gross Weight	
		Type	Output	Capacity	lb	kg
BB5566	015989	NiMH	28.8 VDC	3 AH	16	7
BB6578						
BB7590						

THIS PAGE INTENTIONALLY LEFT BLANK

Section 4: Making Adjustments

Adjusting the Dump Valve Udder

Udder refers to the amount that the dump valve bulges out below the bucket shell, when the bucket is full. A properly adjusted dump valve will have a maximum of 2" (50 mm) of udder.

Too much udder will add to the volume and thus the weight of the bucket. Too little udder will result in the valve leaking and premature wear on the purse strings.



To adjust the udder, change the length of the Tripline by adjusting it at the Tripline adjustment chain.

If a new Tripline is installed, first install it at the same point on the adjustment chain and then test the dump valve in use. Remember to secure the adjustment shackle with a lock wire or tie wrap first. It is impossible to judge udder with an empty bucket on the ground.



Adjusting Purse Strings

Adjustment of the purse strings in the dump valve is important to ensure a good seal at the neoprene lips of the valve mouth. The purse string adjustment is set and tested at the factory. The purse strings may shrink or stretch after use and require adjustment.

Whenever new purse strings are installed, adjustments must be made. When installing a new set of purse strings, orientate the valve correctly and always make sure to stagger the strings from side to side. See *Section 8: Repairs* for complete instructions on how to replace purse strings.

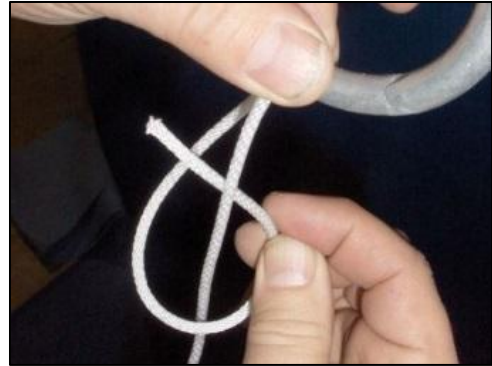


When initially tying up the purse strings, note that more tension should be on the outside string with progressively less tension towards the middle. If the tension is too great on the middle string, the valve action will be sluggish when the valve is retracting. All strings have a black mark; this mark should be tied at the inside of the ring.

Section 4: Making Adjustments

To adjust a single string:

1. Simply adjust the tension of the string to equal that of adjacent strings. Repeat the knot shown three times for each purse string.



To adjust all the strings:

1. Stand the bucket vertically.
2. With the valve bottom flat on the floor, pull the bucket shell into a round shape by deploying the IDS.
3. Run a rope from an overhead support to the ring on the top of the valve.
4. Proceed to adjust the strings.



Once the strings are adjusted, fill the Bambi Bucket with water, just below the top of the valve. Check to see if both lips of the valve are matched right across the top. Sometimes, one lip will ‘track’ slightly above or below the other.

Usually, one or two specific purse strings will cause this improper tracking. To correct:

1. Grasp the purse strings at the centre of the lower side.
2. Pull the strings several times to bring the lip into alignment.
3. Re-tie the purse strings so that the string is just snug. Do not over-tension the string. Over tensioning will result in misalignment at another position on the valve.



Section 5: Packing and Storage

Packing the Bucket

1. Lay the bucket on its side with the ballast on the bottom.



2. Place a 4" x 4" block, centred on the IDS hub.



3. Go to the bottom of the bucket and lift it onto the IDS hub.



Section 5: Packing and Storage

4. Check to make sure the block is in the correct position.



5. The bucket should now be in the position shown in the photo.



6. Pull on the sides of the bucket. The IDS will collapse under the weight of the bucket.
7. Place the bucket back on its side.



8. Grab the control head and pull the suspension lines taut. Tie-wrap or tape the lines together in a bunch.



Section 5: Packing and Storage

9. Gather the suspension lines into a coil and stow inside the bucket. Place the control head outside of the bucket to prevent the possibility of the lines tangling.



10. Place the head and Firesock on top of the bucket. Using the two straps supplied, strap the bucket to secure.



11. Roll the bucket until the head is on the bottom.



12. Take the carrying bag and drape it over the bucket.



Section 5: Packing and Storage

13. Roll the bucket over and close the bag.



14. The Bambi Bucket is now ready to be moved.



Storing the Bucket

Prior to storage, wash the bucket with fresh water and dry completely to prevent the growth of mildew and the corrosion of aluminium and steel parts. If the bucket is used in salt water, or with firefighting foam or retardant, take extra care when cleaning to remove all residue. Salt, foam and retardant can accelerate corrosion and degradation of materials if not removed. If necessary, a mild detergent can be applied to remove stubborn build-up. Store the bucket indoors and out of direct sunlight.

The Bambi Bucket carrying bag makes a suitable shipping container when shipping via airfreight. Because of the compactness of the Bambi Bucket, many operators carry it aboard the helicopter at all times during the fire season. This allows for rapid deployment when required.

Section 6: Troubleshooting Guide

Valve Troubleshooting

Leaking Dump Valve

1. Check that the bolts securing the valve and gasket to the shell are equally fastened. There should be approximately 2 threads exposed past each nut. If necessary, butyl rubber sealant can be used to seal stubborn leaks between the shell and the gasket.



2. Work out any creases in the foam lips of the dump valve. If there is significant deterioration in the material, it may be necessary to replace the dump valve.

3. Check that the purse strings are tied to the ring at the location marked on the string, and that they are threaded through the valve grommets in an alternating pattern.



Section 6: Troubleshooting Guide

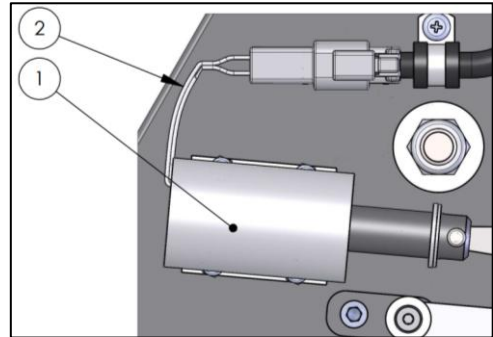
4. Adjust the chain on the Tripline so that the valve has approximately 2" (50 mm) of udder hanging below the shell when the bucket is full of water. Too much or too little udder will not allow the valve to seal optimally and may lead to other issues.



Control Head Troubleshooting

Head Doesn't Release Dump Valve

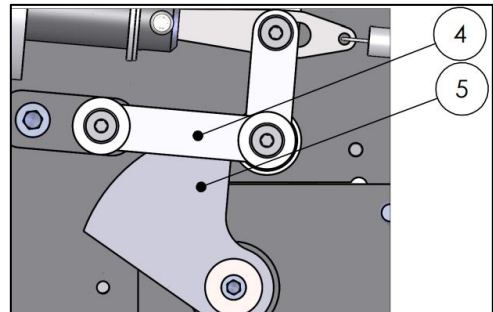
1. With the cover plate removed, activate the solenoid. A click should be heard when the circuit is closed.
2. Check the wires on the solenoid for shorting.



3. Check the resistance of the solenoid using an ohmmeter. It should measure approximately 5-7 ohms resistance. A higher resistance may indicate a poor connection. A lower resistance may indicate a shorted solenoid coil.

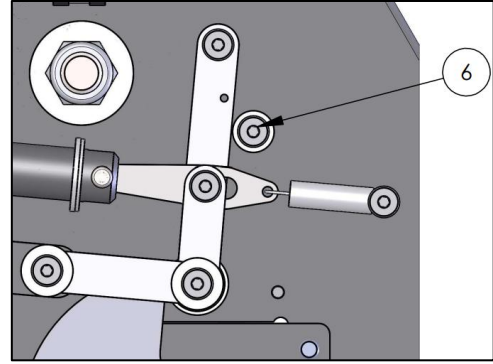


4. Check for jamming of the linkage. The tail of the catch may be caught on the bearing. Activate solenoid to release.
5. Check the catch for burrs at the bearing or the point. The point can be worn by the passage of the trip line bullet. Remove burrs with a fine file.



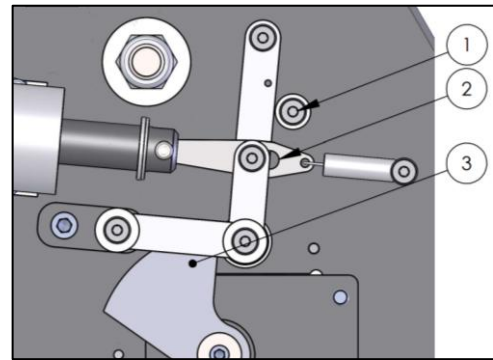
Section 6: Troubleshooting Guide

6. Check that the spring link is resting on the body of the stop bolt and not on the head of the bolt, with the control head sitting vertically.
7. Check for rifling in the trip block and deformation on the top of the bullet.



Head Releases Dump Valve Prematurely

1. Check that links are past the centreline of the clevis pins. Adjust links as required.
2. Check that the links do not catch on the bolt head.
3. Check the catch point for wear at the bullet. Replace catch if necessary.



Tripline Doesn't Return

1. Check for a broken spring in the reel. A broken spring is indicated if the tension on the reel doesn't increase as the reel is wound, or if the tension increases in jerks or the spring seems to "slip" inside the reel. See **Error! Reference source not found.** for **Error! Reference source not found.**

THIS PAGE INTENTIONALLY LEFT BLANK

Section 7: Repair Assessment Guide

Overview of Repair Categories

This section is intended to provide the user with information that will allow for the quick repair assessment evaluation of the Bambi Bucket. The repair assessment process is almost identical for all sizes of the Bambi Buckets, with some exceptions for minor bucket design variations between the models. This section also offers specific guidelines that sort the component defects into one of three categories: Safety, Operational, and Monitor. Use the guideline definitions to determine how urgently a repair should be carried out.

Category 1: Safety

All defects in this category must be repaired immediately before further operation of the Bambi Bucket occurs. Ignoring defects in this category could result in personal injury or damage to equipment. These defects can compromise the following functions of the Bambi Bucket: structural integrity, flight stability, water release and flight safety.

Category 2: Operational

All defects in this category should be repaired before the next operational day or approximately eight hours of flight time. The defects do not compromise the safety of the bucket but may lead to Category 1 defects, if not addressed within a short time frame.

Category 3: Monitor

Many defects such as wear, abrasion and minor impact damage do not need urgent attention. Defects of this nature should be monitored daily and repaired before they progress to a Category 2 defect.

NOTICE

it is impossible to provide a recommended service time frame as some buckets are used often while others are used only rarely. In addition, buckets are shifted between operators, making it difficult to track usage. If you are unsure of your bucket's status, check with any Bambi Bucket Service Centre, in your area, for more information and assistance.

Section 7: Repair Assessment Guide

Control Head Repair Criteria

Category 1: Safety

Cease operations and repair immediately.

- Any visible crack or break on the base plate.
- Visibly bent shackle.
- Missing, broken or loose valve release mechanism parts.
- Broken or missing safety wire on shackle pins.
- Broken or exposed electrical conductors.
- Broken or missing break-away plug.

Category 2: Operational

Repair before next day's operation or eight hours flight time.

- Missing control head cover hardware.
- Cracked or damaged control head cover.

Category 3: Monitor

Monitor and/or repair if condition deteriorates.

- General wear and visual condition of components including electrical connections and wire.
- Optimal function of valve release mechanism (check daily).

Section 7: Repair Assessment Guide

Cables Repair Criteria

Category 1: Safety

Cease operations and repair immediately.

- One or more broken suspension cables or end fittings.
- Broken deployment cable.

Category 2: Operational

Repair before next day's operation or eight hours flight time.

If three or more individual suspension cables or the deployment cable have the following defects:

- 10 or more randomly distributed broken strands or four adjacent broken strands
- Visible kink(s).
- Separation of the strands due to twisting (known as "bird-caging").
- Evidence of heat damage.
- Abrasion wear comprising of more than 1/3 of the original diameter of the outside individual strands.
- Any visible reduction in outside diameter due to overload.
- Cracked or broken end fittings (some elongation of cable eyes is acceptable).

Category 3: Monitor

Monitor and/or repair if condition deteriorates.

- Wear, broken strands, kinks and twisting in cable that does not exceed the limits defined in Category 2 defects.

Section 7: Repair Assessment Guide

M-Straps/Top Chains Repair Criteria

Category 1: Safety

Cease operations and repair immediately.

- Broken top chains.
- Broken or missing shackles.
- Two or more broken M-straps.

Category 2: Operational

Repair before next day's operation or eight hours flight time.

- M-straps with more than 25% of the fabric strands broken.
- Visibly worn top chains.
- Bent, gouged, worn or cracked shackles and shackle pins.

Category 3: Monitor

Monitor and/or repair if condition deteriorates.

- Damage to an M-strap that does not exceed 25% of the fabric.
- Minor wear, impact marks or corrosion on chains.
- Minor wear, impact marks or corrosion on shackles.

Section 7: Repair Assessment Guide

IDS Repair Criteria

Category 1: Safety

Cease operations and repair immediately.

- Cracks or breaks across the major section of the IDS hub.
- Two or more broken or cracked spoke brackets.
- Two or more broken or missing spokes, clevis pins, shell brackets.
- Three or more bent spokes (bends in excess of 20° = broken).

Category 2: Operational

Repair before next day's operation or eight hours flight time.

- One broken or cracked spoke bracket on IDS hub.
- One broken or missing spoke.
- One broken or missing clevis pin or shell bracket.
- Up to two bent spokes.

Category 3: Monitor

Monitor and/or repair if condition deteriorates.

- Wear on IDS hub.
- Dents, abrasions and wear on spokes.
- Clevis pin and shell bracket wear.

Section 7: Repair Assessment Guide

Bucket Shell Repair Criteria

Category 1: Safety

Cease operations and repair immediately.

- One or more broken top loop knots (M-strap attachment point to the shell).
- Gross punctures through shell that cut or severely damage one or more panel strips.
- Separation of fabric welds longer than 3" (76 mm).
- Punctures or cuts through shell longer than 3" (76 mm).
- Two or more broken bottom webbing loops.

Category 2: Operational

Repair before next day's operation or eight hours flight time.

- Top loop knots that are worn or have damage to more than 25% of the fabric.
- Cuts, punctures or weld separations less than 3" and/or cut through more than 25% of a panel strip.
- Bottom webbing loops with more than 25% damage to fabric strands.
- Broken or missing bottom webbing protective wear strips.
- Five or more broken battens.

Category 3: Monitor

Monitor and/or repair if condition deteriorates.

- Wear, abrasions, and cuts to the bucket shell fabric isolated to one side of the material that do not cut through.
- Wear, abrasions and cuts to the webbing loops, strips and top loop knots that involve less than 25% of the fabric strands on any portion of the affected webbing.
- Wear and abrasions to webbing protective strips.
- Up to 4" (102 mm) of peeled weld on panel strip.
- Up to four broken battens.

Section 7: Repair Assessment Guide

Cinch Strap Repair Criteria

Category 1: Safety

Cease operations and repair immediately.

- Broken or missing cinch strap.
- Field-modified cinch strap.
- Broken or missing cinch strap retaining brackets.
- Broken or missing cinch strap hook or mating ring.

Category 2: Operational

Repair before next day's operation or eight hours flight time.

- Wear or damage to cinch strap involving more than 25% of the fabric strands.
- Missing cinch strap bracket hardware.

Category 3: Monitor

Monitor and/or repair if condition deteriorates.

- Wear or damage to cinch strap, less than 25%.
- Worn or bent brackets.

Section 7: Repair Assessment Guide

Valve Repair Criteria

Category 1: Safety

Cease operations and repair immediately.

- Broken valve restrainer cable.
- Two or more broken purse strings.

Category 2: Operational

Repair before next day's operation or eight hours flight time.

- Up to one broken purse string.
- Wear or damage to the purse strings comprising more than 50% of fibers.
- Cuts or tears on valve material.
- Broken stitching that allows separation of seam(s).
- Wear, abrasion and creases that allow leakage.
- Broken or missing valve bolts.
- Missing or broken purse strings grommets.
- Frayed wires on riser cable.

Category 3: Monitor

Monitor and/or repair if condition deteriorates.

- Wear and abrasion on valve material.
- Wear on purse strings.
- Valve bolt security.

Section 8: Repairs

Control Head Repairs

For proper operation of the control head, avoid the following modifications:

- Do not use another type of bearing as a replacement for the ball bearing.
- Do not use lock wire as a substitute for the swage blocks on the Tripline.
- Do not shorten or change the portion of the Tripline which attaches to the reel.
- Do not modify the size or angles of the catch, other than as recommended.

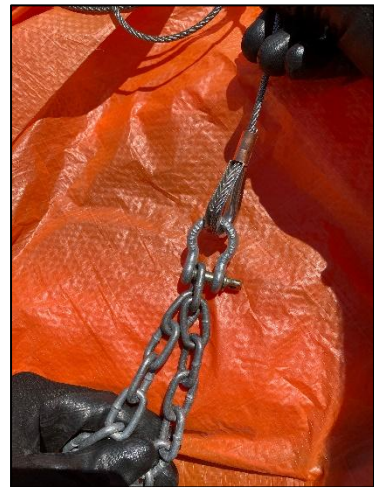
Spring Reel & Tripline Replacement

The following procedure is for replacing a Spring Reel and Tripline. Steps that are particular to the Spring Reel or Tripline replacement are identified. Ignore these steps if that part is not being replaced.

CAUTION

It is recommended to wear protective gloves and eyewear while performing this procedure. Failure to do so may result in injury.

1. (*Tripline*) Take note of which riser cable chain link the Tripline is shackled to. Disconnect the Tripline from the riser cable chain while leaving the shackle attached to the chain.

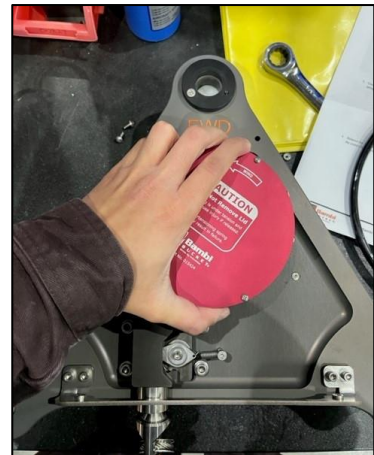


Section 8: Repairs

2. Open the control head by removing the screws and cover.



3. Unwrap the Tripline from the Spring Reel drum to release the spring preload. Do this until there is no tension on the Tripline.



4. Disconnect the solenoid connector and remove the p-clips and Wire Lead. Place the Control Head face down on the Spring Reel, this will keep the arbour engaged with the torque plate. Remove the nut from the Spring Reel arbor located on the back of the control head then pull out the Spring Reel.



Section 8: Repairs

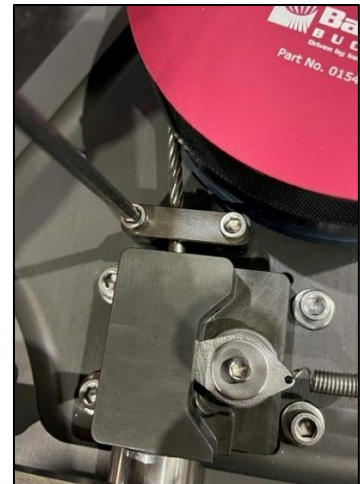
5. Unwrap the remaining Tripline from the Spring Reel then remove the screw and retainer plate from the back of the Spring Reel.



6. Pull out the end of the Tripline from the cavity then feed it through the large hole to detach it.



7. Remove the Safety Stop and Safety Stop Spacer located above the Tripblock .

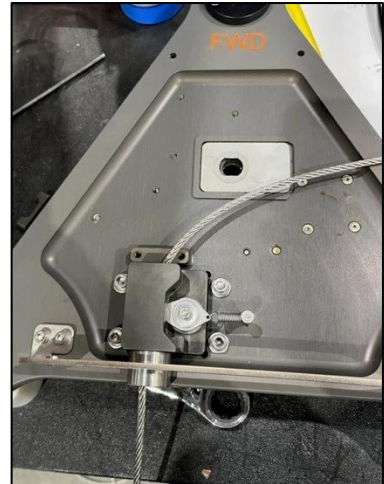


Section 8: Repairs

8. (*Tripline*) Depress the solenoid plunger and linkage to release the catch, then pull the Tripline out from the bottom of the Tripblock.



9. (*Tripline*) Insert the end of the new Tripline up and through the bottom of the Tripblock.



10. (*Spring Reel*) Swap the malfunctioning Spring Reel with a working one.

11. Feed the end of the Tripline into the Spring Reel drum and through the large hole on the back.



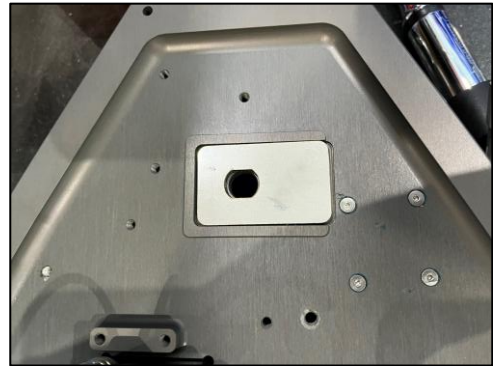
Section 8: Repairs

12. Place the end of the Tripline into the cavity and install the retainer plate and screw.



13. Check that the washer and torque plate are installed onto the Spring Reel arbor, then insert it into the control head so that the torque plate is seated in the cavity of the Head Base.

Tip: Apply a thin layer of grease to the backside of the torque plate to hold it in place.



14. Install the nut onto the Spring Reel arbor while ensuring that the torque plate is still seated properly on the arbor.

Tip: If the plate has fallen off the arbor, rotate the Spring Reel until the arbor aligns with the slot on the plate then press to reseat it. The plate is seated properly if the Spring Reel develops torque when rotated counterclockwise.

Tighten the nut to 25 - 30 ft-lb.



Section 8: Repairs

Now that the Spring Reel is installed into the control head, follow steps 15 - 19 to preload the Spring Reel.

15. Wrap the Tripline **counterclockwise** onto the drum of the Spring Reel without turning the Spring Reel (do not tension the spring).



CAUTION

The following procedure will cause the spring to be in tension and can cause injury if it is released prematurely. Over-tensioning the spring may result in failure.

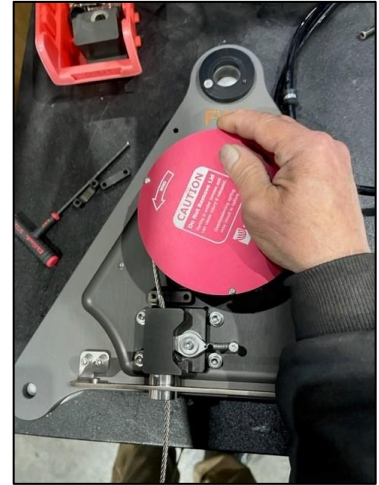
16. Preload the Spring Reel by pulling on the Trip Line until the Spring Reel completes **1** full rotation.



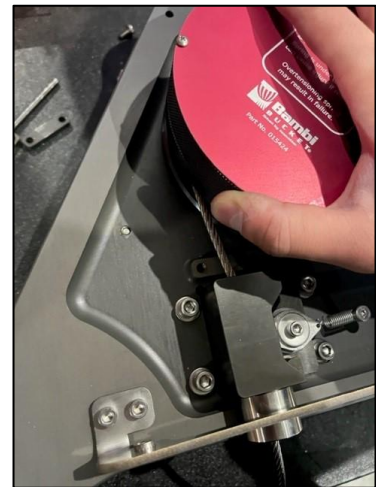
Section 8: Repairs

17. Grip the Spring Reel and hold it in place, then wrap the Tripline **counterclockwise** onto the drum of the Spring Reel **1 revolution**. This is **1 turn** of preload.

Tip: Hold the Spring Reel with your left hand (thumb and palm) in the 9 o'clock position and grip the control head with your fingers. Use your right hand to wrap the Tripline around the Spring Reel to your left thumb. Hold the Spring Reel in place with your right hand in the 3 o'clock position then release your left hand to let the Tripline pass.



18. Slowly and carefully release the Spring Reel and allow it to pull the remaining Tripline onto the drum and the bullet assembly into the Tripblock.



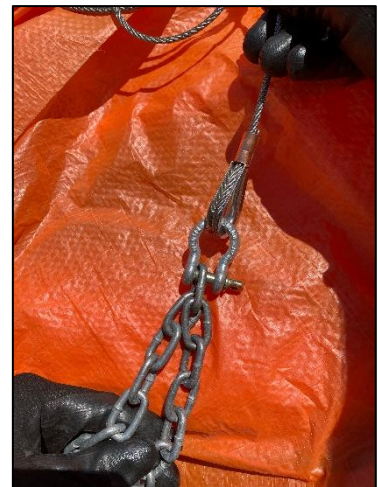
19. Repeat steps 16-18 until you have completed **5 turns** of preload.

Section 8: Repairs

20. Re-install the Wire Lead & p-clips and re-connect the solenoid connector. Re-install the front & rear Head Covers.



21. (*Tripline*) Connect the Tripline to the shackle on the riser cable chain.

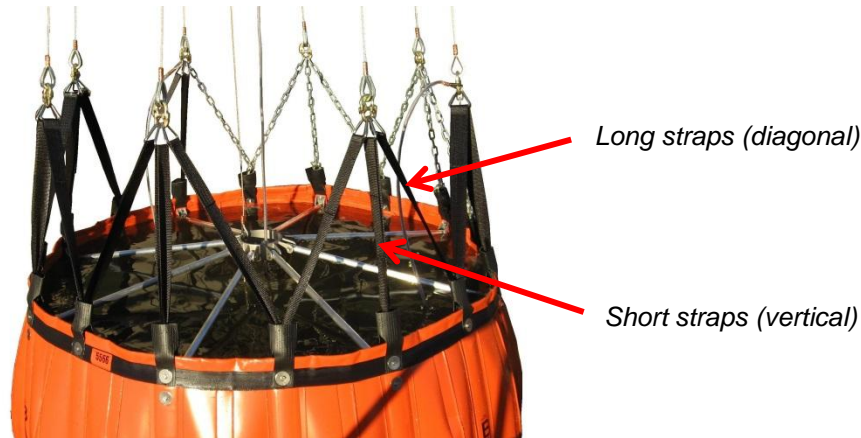


Section 8: Repairs

M-Strap Replacement

Replace M-straps if they become noticeably worn. M-straps may be repaired, if frayed, by melting the fray with a lighter to stop the fray from spreading. The length of the M-strap is critical to the Bambi Bucket functioning correctly. It is recommended that you replace worn straps with factory-supplied equipment.

There are two types of straps. The short straps are vertical and are a continuous loop. The long straps are diagonal and have a loop on each end.



Replace one set of straps at a time to avoid confusion.

1. Cut off the old strap from the shackle.
2. Using needle nose pliers, insert the tip under the top webbing layer.
3. Fully insert the pliers at the far left hand side of the top layer.



Section 8: Repairs

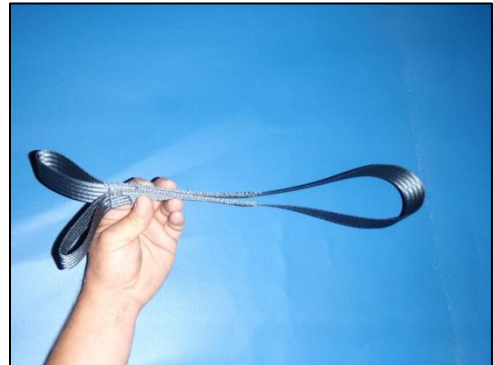
4. Holding the pliers tight, turn your hand clockwise. Repeat the operation until the knot is loose enough to remove the strap.



5. Complete step 'a' or 'b' depending on whether the strap is short or long.
 - a. For short straps, grasp the strap and rotate until the joint is centred.



- b. For long straps, locate the centre of the strap and fold back to form a loop.



6. Pass the loop of the strap through the loop on the top of the bucket.



Section 8: Repairs

7. Twist the strap loop eye 180 degrees.



8. Rotate the eye to the opposite side.



9. Pull strap end through the eye.



10. Pull strap tight.

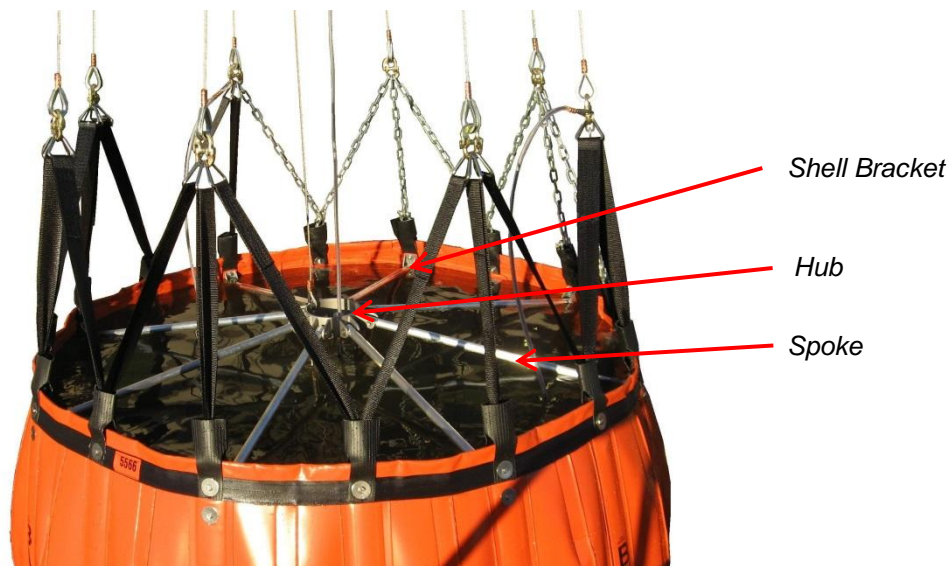


Section 8: Repairs

11. The M strap set should now look like this. The suspension line attaches to the top of each M-strap set.



IDS Replacement



The IDS can be replaced either as a complete kit or as individual pieces, as required. See ***Error! Reference source not found.*** for detailed parts drawings. Follow the procedure below to replace the entire assembly:

1. Disconnect the Tripline from the valve and remove through the IDS hub.
2. Disconnect the IDS restrainer cables from the cable restrainer brackets in the shell.
3. Disconnect the IDS deployment cable from the head.
4. Remove the pins which secure the outer ends of the spokes to the shell brackets. Remove the IDS assembly from the bucket.
5. Inspect the shell brackets and replace as necessary.
6. With the ballast oriented at the 6 o'clock position, rotate the new IDS assembly so that the deployment cable faces upward at the 3 o'clock position.
7. Attach the two spokes at either side of the 12 o'clock position using the stainless steel clevis pins. Working around the bucket perimeter, attach the rest of the spokes.

Section 8: Repairs

8. Once the IDS is fully installed, test for fit. You should be able to pull the hub past the midpoint position with a slight effort. If the IDS is either too loose or too tight, it will require adjustment. If the IDS is too tight, adjust as follows:
 - a. Cut off one spoke just above the existing hole on one end only. Redrill a new hole centred the same distance from the new end of the spoke as the other spokes. Replace the spoke and check for fit.
 - b. If the IDS is still too tight remove another spoke directly across from the first modified spoke and repeat the previous step.
9. Pass the Tripline through the hub and re-attach to the dump valve
10. Attach the IDS deployment cable to the control head small adjustment chain.
11. Attach the IDS restrainer cables.

Bottom Loop Repairs

If the bottom loops, which hold the chain, become worn, the frays can be melted with a lighter to prevent them from spreading. If the bottom loops require replacement, they should receive an overlay of heavy duty wear resistant webbing.

Section 8: Repairs

Valve Repair and Replacement

Dump Valve Replacement

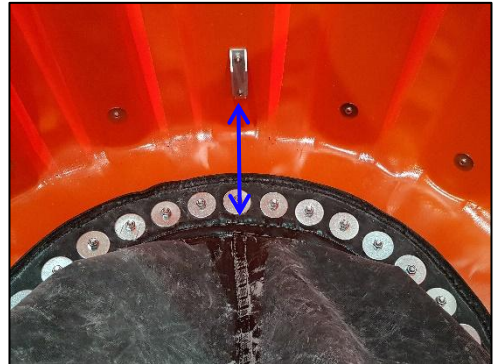
Replacement dump valve assemblies come complete with new purse strings, bolts, nuts, washers and butyl rubber sealant.

To replace a valve:

1. Remove the old valve and all butyl tape.
2. Stand the bucket up with the valve hole on the bottom.
3. Place a ring of butyl tape around the outside of the grommets on the shell.



4. Place the stainless washers and then the rubber washers onto the bolts. Insert the bolts up from outside of shell.
5. Place the new valve into the bucket where the vertical seam on the valve is in-line with either of the IDS restrainer cable brackets on the shell.
6. Install the remaining stainless washers and nuts onto the bolts and fasten them until two threads on the bolts show. Do not over-tighten.



Section 8: Repairs

Purse String Replacement

The purse string set has 17 strings. The strings have black markings that indicate where to tie the string on the metal ring.

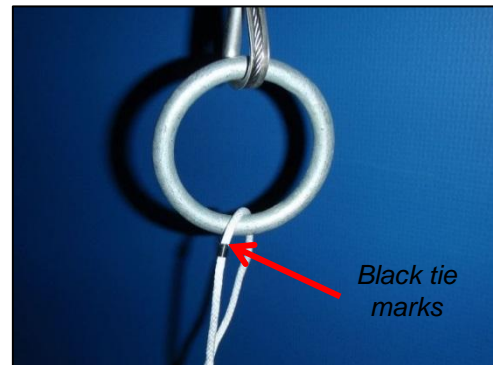
Braided nylon for new purse strings can be purchased locally. Make sure to use nylon which is self-lubricating in water. After cutting the new string, melt the ends with a lighter to prevent fraying. Tie a figure eight knot on one end of the new string large enough to prevent passage of the string through the washer.

To replace all purse strings:

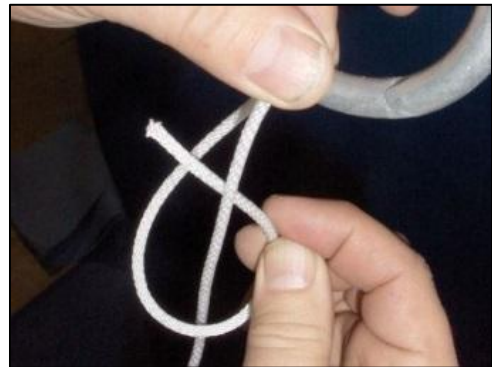
1. Install a purse string through one of the end grommets and through its mating grommet on the other side of the valve.



2. Take the free end of the string and loop it through the metal ring. Centre the black mark on the metal ring.



3. Tie the purse string to the metal ring at the mark with a round turn and three half hitches.



Section 8: Repairs

4. Starting from the opposite side of the valve as the first string, install another string through the next set of grommets.
5. Tie the string to the ring on the inside of the previous string.



6. Repeat the process with the remaining strings alternating from one side of the valve to the other.



Further details on purse string adjustments are given in *Adjusting Purse Strings* in this manual.

Section 8: Repairs

Shell Repairs

Please read these instructions carefully and follow them exactly to obtain a good repair. Failure to follow these instructions or poor repair workmanship can lead to failed repairs and/or more damage to the bucket.

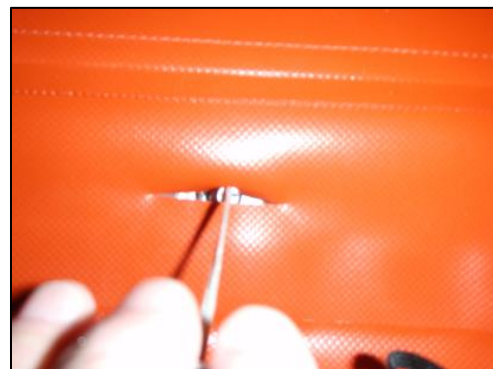
Temporary Repairs with Sealing Clamps

Repair clamps are used for an immediate repair to prevent the loss of liquid through large rips or holes. For example, if a vehicle accidentally backed into a bucket and caused a 3" (76 mm) long rip in the bucket, a repair clamp could be inserted to stop the loss of liquid. Repair clamps are only used for temporary repairs. The damage should be permanently repaired with a patch when the bucket can be set aside for 24 hours.

1. Select the largest clamp that will just slip through the hole in the item. The size of cut or hole will determine the size of the sealing clamp to use.
 - For a cut or hole up to 2" (5 cm), use a 3" (7.6 cm) clamp (supplied).
 - For a cut or hole up to 4" (10 cm), use a 5" (12.7 cm) clamp (supplied).
 - For a cut or hole up to 6" (15 cm), use a 7.5" (19 cm) clamp (special order).
2. Keeping hold of the string, slip one half of the repair clamp through the hole as indicated.



3. Pull the bolt up through the hole. Turn it until the clamp lines up with the hole.



Section 8: Repairs

1. Place the top of the clamp over the bolt, then install and tighten the wing nut.



NOTICE

Leaving the clamp's string on makes it easier to remove the repair clamp when placing a permanent patch on the bucket.

NOTICE

Tightening the nut with tools may break the bolt away from the lower clamp. Overtightening can also deform the clamp and cause leaks.

Temporary Repairs Using Glue

Before commencing repairs using glue, the weather should be warm (above 60 °F or 15 °C) and dry. In conditions of high humidity, a proper technique is essential for securing the bond strength desired. The presence of surface moisture can destroy the effectiveness of the cemented bond.

The evaporation of solvent from the adhesive may reduce surface temperature below the dew point resulting in condensation of water vapour on the surface of the adhesive. This is often visible as fogging or a milky white appearance on the surface. The use of a solvent to clean the surface prior to cementing can also reduce temperatures below the dew point.

To overcome the high humidity problem, raise the temperature of the patch area. This can be accomplished with a warm air fan.

WARNING

Glue vapours are highly explosive! Explosive vapours may occur causing fire and/or injury. Keep away from all sparks, flame, lighters or cigarettes.

Solvent and glue are both extremely hazardous. Use solvent and glue under well ventilated conditions only.

Use an approved respirator mask to avoid breathing fumes.

When using a warm air fan, either use one which is rated EXPLOSION PROOF or make sure that there is a steady flow of air past the work area to remove fumes as they are generated.

Section 8: Repairs

NOTICE

Try a test repair before attempting to repair the bucket. This will verify your technique without risking damage to the bucket. It is much harder to fix a repair once a failed attempt has been made as the hardened glue is difficult to remove.

Damage to the outer fabric coating, or pinholes which are not leaking, can be repaired with glue only. To perform this type of repair, follow these steps:

1. Fill the weight bag with water prior to beginning repairs.
2. Clean the area to be repaired with an abrasive pad dampened with solvent. Remove all traces of masking tape, if previously used. If possible, place a piece of masking tape on the back side of the item being repaired.

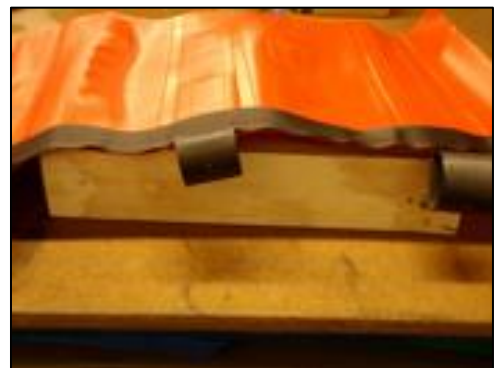


3. Paint the damaged area with glue. Use a thick coat of glue, overlapping the edges of the repair by 1" (25 mm). Be sure that the edges are well coated. A damaged coating should be given two coats of glue. Apply the second coat within four hours of the first coat.



Damage to the base fabric must be repaired with a patch. To perform this type of repair, follow these steps:

1. If there is dampness around the area to be patched, then dry the area with a hot air fan or heat gun. Any loose coating should be cut back with scissors. Support the damaged area on a flat, solid platform. This platform should be strong enough to support the fabric (flat) and allow the patch to be rolled once it is in place.



Section 8: Repairs

2. Scrub the damaged area with an abrasive pad dampened with solvent (isopropyl rubbing alcohol is recommended). Scrub vigorously to remove the cured surface. The area should be clean and dry with a dull matte finish.



3. Wipe with a rag, dampened with solvent, to remove any residue from cleaning. Check to see if the area is totally clean and all coated surfaces and edges are dull. If not, repeat the cleaning. This is critical for a good glue bond.

CAUTION

Solvent will damage the fabric if too much is used or if the fabric is left exposed to solvent residue.

4. Cut a patch at least 2" (50 mm) larger in every direction from the damaged area. A round patch is recommended but, if a rectangular patch covers the damage better, then round all corners. Clean the patch by scrubbing with a pad dampened with solvent. Rub vigorously to remove the gloss from the fabric. Clean **both sides of the patch**, as it is easy to get the patch turned over during installation. The colour of the patch will vary depending on the product repair kit.



5. Apply glue to the patch and damaged area. Wait 30 minutes (at 75 °F or 22 °C) for some of the solvent to evaporate from the glue. The glue should become thicker but still be quite wet. If it has been allowed to dry too long, give both sides another thin coat. If the glue has dried too long, it will be difficult to avoid entrapping air bubbles in the bonded joint.
6. Place the centre of the patch down first, then roll it out towards the edges with the roller. This expels trapped air. Once the patch is rolled down, do not let it lift up. This will prevent air from getting under the patch which causes a weak bond.



Section 8: Repairs

7. Place a plastic cover sheet over the patch followed by a weight bag for 12 hours at room temperature. Remove the weight bag and leave to dry for 24 hours.

8. If the patch will be subjected to abrasion after 24 hours, paint over the patch with glue. Painting the patch also provides protection from ultra violet light and weather. Allow the bond to harden for 24 hours at room temperature before using the item.



NOTICE

Allow repair to harden for 24 hours at room temperature before using the item.

Repairs will likely fail if:

- The area to be repaired is not perfectly clean and scrubbed to a matte finish before applying the patch.
- Repairs are attempted during wet or cold weather.
- The glue and patch are not properly placed, creating air bubbles between the glue and the patch.
- The patch is not weighed down for 24 hours.
- The bucket is used before the glue has set.

NOTICE

Aquaseal® urethane adhesive is designed for use on fabrics like the Bambi Bucket shell. The shelf life of this adhesive is about one year. Fresh adhesive can be obtained directly from SEI Industries Ltd.

Section 8: Repairs

Hot Air Gun Patching

Hot air gun patching is the preferred method because it provides the most durable, permanent repair possible.

Tools and materials required:

- Patches
- Plastic hand-held roller
- Hot air gun with wide surface nozzle
- Isopropyl alcohol
- Scissors

WARNING

It is extremely dangerous to use a hot air gun in the presence of flammable fumes such as gasoline or paint thinner. There is a high risk of explosion and/or burns.

CAUTION

Injury, especially to hands and fingers, can occur when using a hot air gun. Most welding will occur at temperatures of 800-1000 °F. Wear gloves to protect skin from overheating, burning and blistering.

The procedure for hot air patching is as follows:

1. In a well-ventilated location, clean the area to be repaired as well as one side of the patch with an abrasive pad. Wipe down the repair area and patch with isopropyl alcohol.
2. Mount a wide surface air nozzle on the hot air gun so as to direct the heat flow in a large pattern. Turn the power on, adjust the temperature in the low range first and let the hot air gun warm up. Increase the temperature as required during the operation.



CAUTION

Overheating can occur quickly and can damage the product. It's recommended that you test, using the supplied fabric samples, to determine the correct temperature to be used and the duration of heat to be applied.

Section 8: Repairs

3. Starting from the centre of the patch (held down by the roller), concentrate the heat flow equally to patch and fabric. Apply a light pressure with the roller when the fabric starts melting. This can be seen as small bubbles.
4. Roll the patch down to fuse it to the fabric, moving roller and gun simultaneously. Repeat on the unfused portion of the patch. Let the repaired area cool down. Attempt to peel off at the edges with your fingers. If there is even a slight peel, repeat the operation locally. Otherwise, the repair is finished.



Shell Repair Kits

Repair kits contain some of the tools needed to perform repairs on Bambi Bucket shells. Urethane adhesive is **not included** in this kit. Urethane adhesive can be purchased separately from SEI Industries Ltd.

Kit Contents:

- Fabric Repair Manual
- Weight Bag
- Abrasive Pads
- Seam Roller
- Scissors
- Small Clamp
- Patches
- Zip-lock Bags
- Tool Bag



THIS PAGE INTENTIONALLY LEFT BLANK

Section 9: Specifications and Parts

Capacity and Weight Specifications

Capacities and weights are accurate to within 5%. Specifications are subject to change.

CAUTION

The selection of a Bambi Bucket model for a specific aircraft is dependent on many factors including aircraft weight, fuel weight, operation elevation and atmospheric conditions.

The helicopter operator must select a bucket model which is appropriate for their specific situation.

The operator must also ensure that the bucket selected does not pose a tail rotor strike hazard.

Model	Capacity			Empty Weight		Gross Weight	
	IMP Gal	US Gal	Liters	lb	kg	lb	kg
BB5566	550	660	2500	260	120	5760	2610
BB680K	570	680	2570	270	120	5930	2690
BB6578	650	780	2950	310	140	6810	3090
BB7590	750	900	3410	340	150	7840	3550

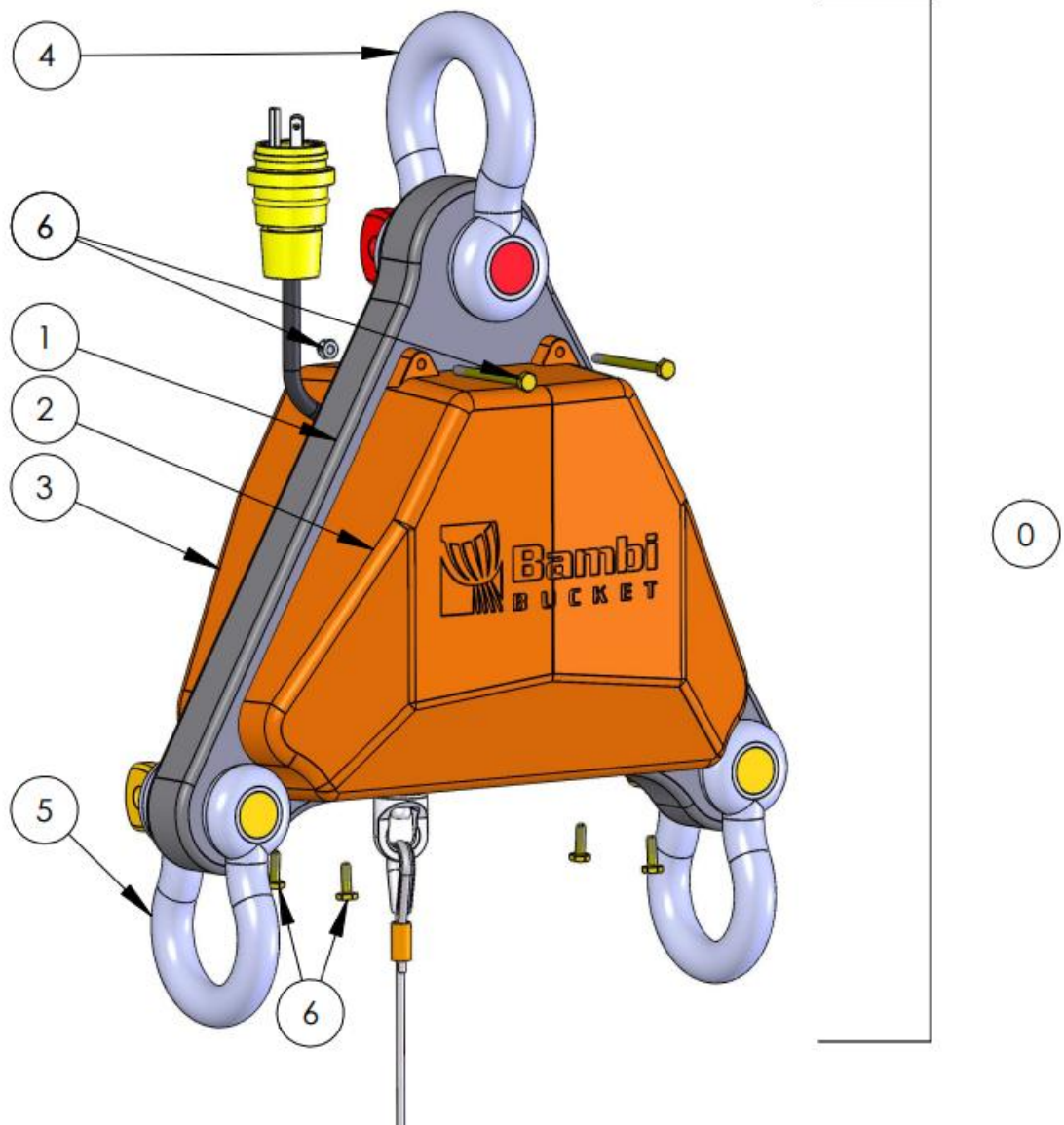
Bolt Torque Specifications

Unless otherwise specified, bolts shall be torqued to the following specification:

#8-32	#10-24	#10-32	1/4-20	5/16-18	3/8-16	1/2-13	1/2-20
17 lb-in 1.9 Nm	25 lb-in 2.8 Nm	28 lb-in 3.2 Nm	4.9 lb-ft 6.7 Nm	10 lb-ft 14 Nm	18 lb-ft 24 Nm	44 lb-ft 59 Nm	49 lb-ft 67 Nm

Parts

Control Head



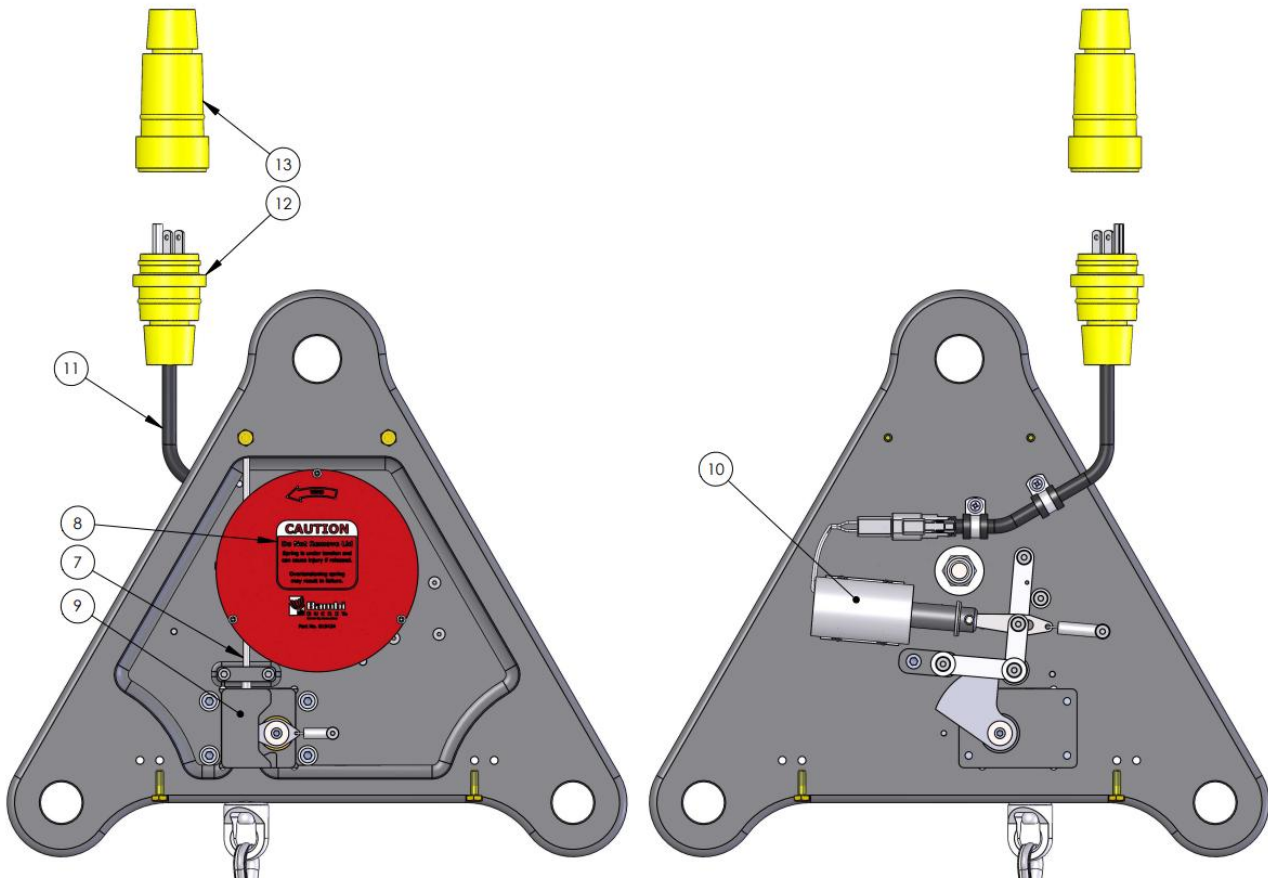
Section 9: Specifications and Parts

Control Head (continued)

ITEM	MODEL	PART #	DESCRIPTION	QTY
0	ALL	018438	HEAD, CONTROL	1
1		018298	BASE, HEAD	1
2		017841	COVER, HEAD, FRONT	1
3		017843	COVER, HEAD, BACK	1
4		009102	SHACKLE, ANCHOR, SCREW, 1", ALLOY	1
5		001793	SHACKLE, ANCHOR, SCREW, 7/8", GAL	2
6		019351	HARDWARE, COVER, KIT	1

Section 9: Specifications and Parts

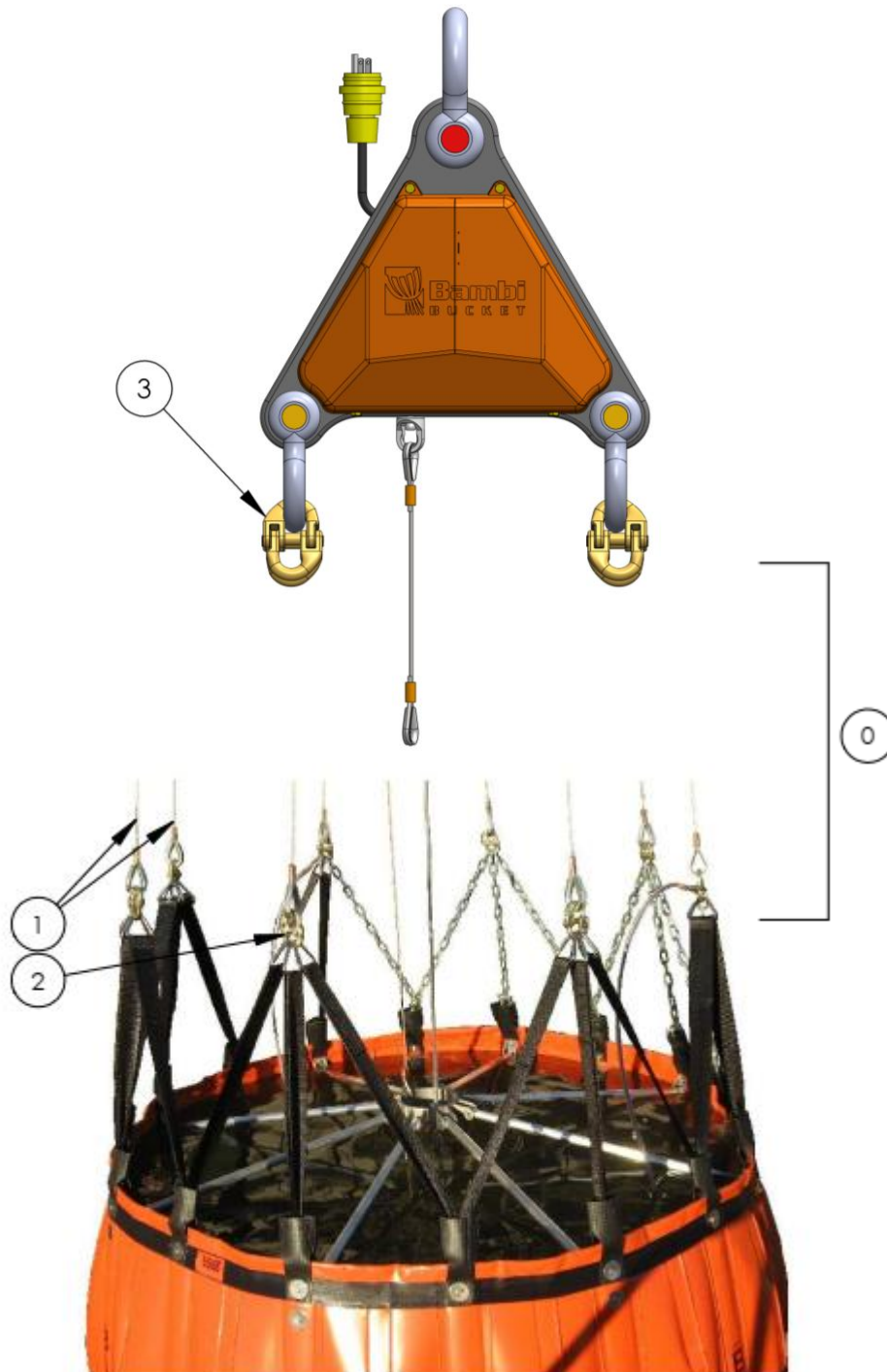
Control Head (continued)



ITEM	MODEL	PART #	DESCRIPTION	QTY
7	ALL	018761	TRIPLINE, FLEX	1
8		018753	REEL, SPRING, ASSY	1
9		017839	TRIPBLOCK, CATCH/LATCH, ASSY	1
10		019345	SOLENOID, W/HARDWARE	1
11		018854	WIRE, LEAD, BAMBI	1
12		000982	PLUG, 3 PIN, NEMA 5-15P, IP67	1
13		000990	RECEPTACLE, 3 SCKT, NEMA 5-15R, IP67	1

Section 9: Specifications and Parts

Suspension



Section 9: Specifications and Parts

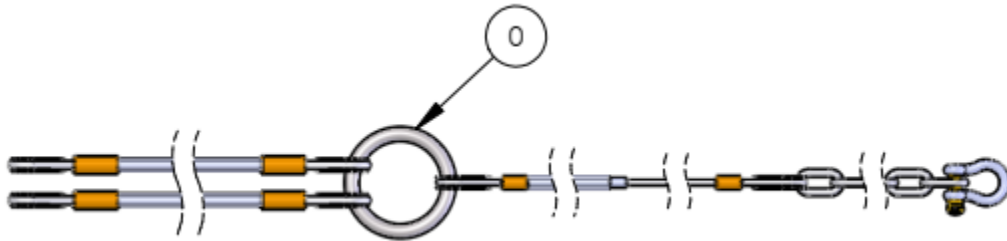
Suspension (continued)

ITEM	MODEL	PART #	DESCRIPTION	QTY
0	BB5566	005561	CABLE, SUSPENSION, SET	1
	BB680K			
	BB6578	005562		
	BB7590	005563		
1	BB5566	009857	CABLE, SUSPENSION, PAIR	4
	BB680K			
	BB6578	009858		
	BB7590	009859		
	BB6578	009862	CABLE, SUSPENSION, SINGLE	2
BB7590	009863			
2	BB5566	004057	LINK, CONNECTOR, SMALL, PLT	8
	BB680K			10
	BB6578			
	BB7590			
3	BB5566	006710	LINK, CONNECTOR, LARGE, PLT	4
	BB680K			6
	BB6578			
	BB7590			

THIS PAGE INTENTIONALLY LEFT BLANK

Section 9: Specifications and Parts

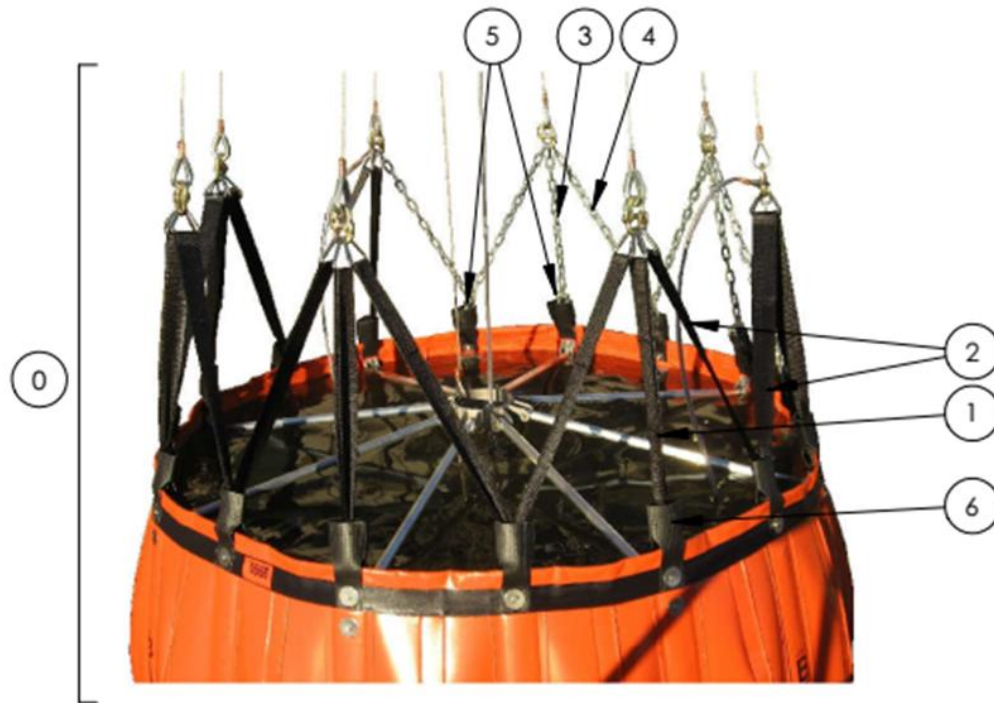
Riser, Ring & Restrainer



ITEM	MODEL	PART #	DESCRIPTION	QTY
0	BB5566	006125	RISER, RING & RESTRAINER	1
	BB680K			
	BB6578	006127		
	BB7590	006131		

Section 9: Specifications and Parts

Bucket Shell



ITEM	MODEL	PART #	DESCRIPTION	QTY
0	BB5566	005795	SHELL, BAMBI, ASSY	1
	BB680K	005794		
	BB6578	005804		
	BB7590	005807		
1	BB5566	005473	M-STRAP, LOOP, 22-5/8"	6
	BB680K			
	BB6578	005475	M-STRAP, LOOP, 23-3/8"	8
	BB7590			

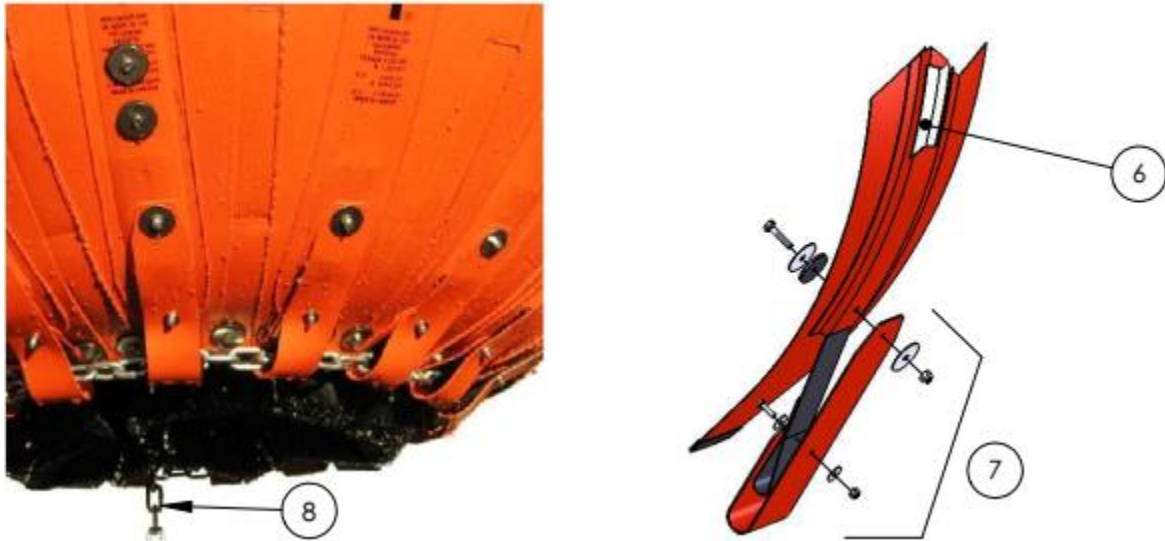
Section 9: Specifications and Parts

Bucket Shell (continued)

ITEM	MODEL	PART #	DESCRIPTION	QTY
2	BB5566	005474	M-STRAP, STRAIGHT, 50-1/2"	5
	BB680K			
	BB6578	005476	M-STRAP, STRAIGHT, 51"	7
	BB7590			
3	BB5566	005526	CHAIN, TOP, 18-1/2"	2
	BB680K			
	BB6578	005528	CHAIN, TOP, 20"	
	BB7590			
4	BB5566	005527	CHAIN, TOP, 21.3"	6
	BB680K			
	BB6578	005529	CHAIN, TOP, 21-1/4"	
	BB7590			
5	BB5566	013134	SHACKLE, ANCHOR, SCREW, 5/16", SS	5
	BB680K			
	BB6578			
	BB7590			
6	BB5566	005483	PROTECTOR, M STRAP	16
	BB680K			
	BB6578			20
	BB7590			

Section 9: Specifications and Parts

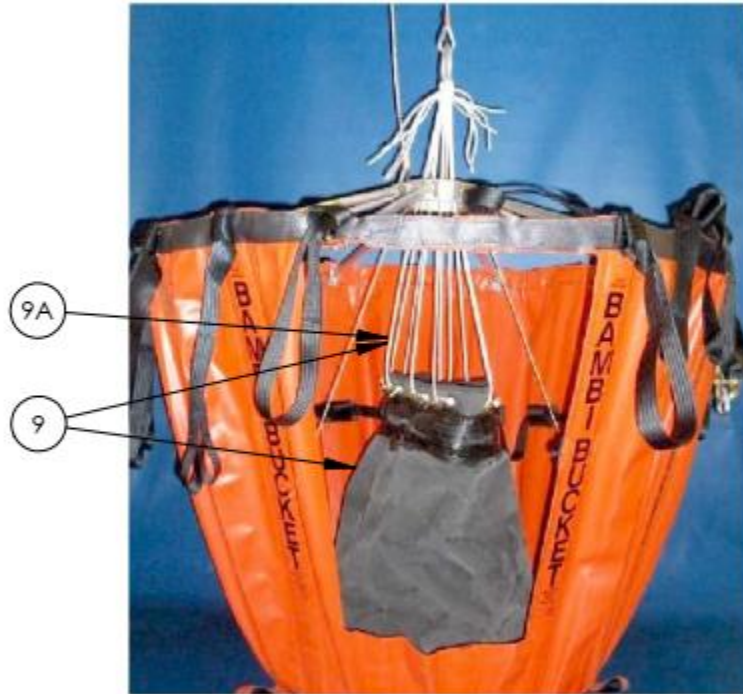
Bucket Shell (continued)



ITEM	MODEL	PART #	DESCRIPTION	QTY
6	BB5566	005430	BATTEN, 1-5/8" X 51-1/2"	16
	BB680K	005425	BATTEN, 1-5/8" X 48-1/2"	
	BB6578	005433	BATTEN, 1-5/8" X 56"	20
	BB7590	005436	BATTEN, 1-5/8" X 61-5/8"	
7	BB5566	007772	STRIP, WEAR, ASSY	16
	BB680K	008857		20
	BB6578	007772		
	BB7590			
8	BB5566	006635	CHAIN, BOTTOM, 5/16"x76", ASSY	1
	BB680K			
	BB6578	006649	CHAIN, BOTTOM, 5/16"x80", ASSY	
	BB7590			

Section 9: Specifications and Parts

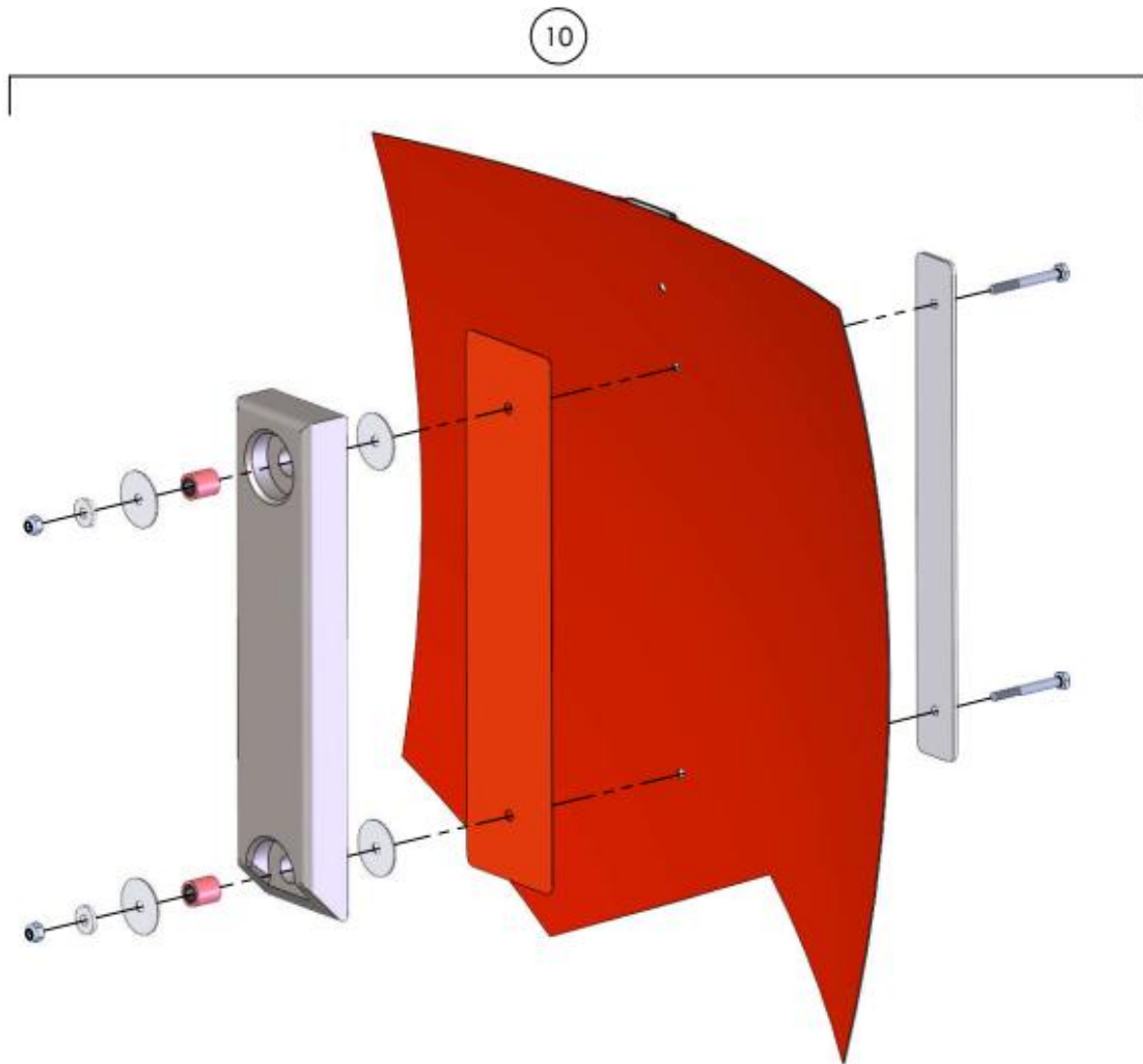
Bucket Shell (continued)



ITEM	MODEL	PART #	DESCRIPTION	QTY
9	ALL	006092	VALVE, DUMP, ASSY	1
9A	ALL	005617	STRING, PURSE, SET 4453-9800	1

Section 9: Specifications and Parts

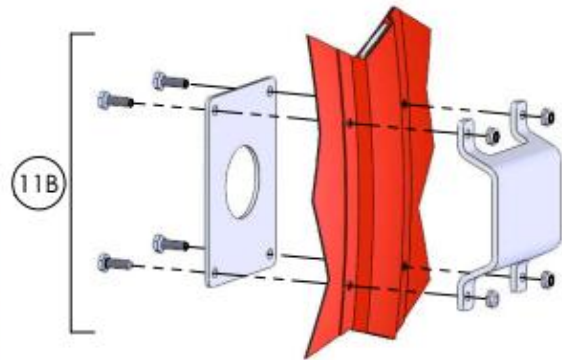
Bucket Shell (continued)



ITEM	MODEL	PART #	DESCRIPTION	QTY
10	ALL	007195	BALLAST, ASSY	3

Section 9: Specifications and Parts

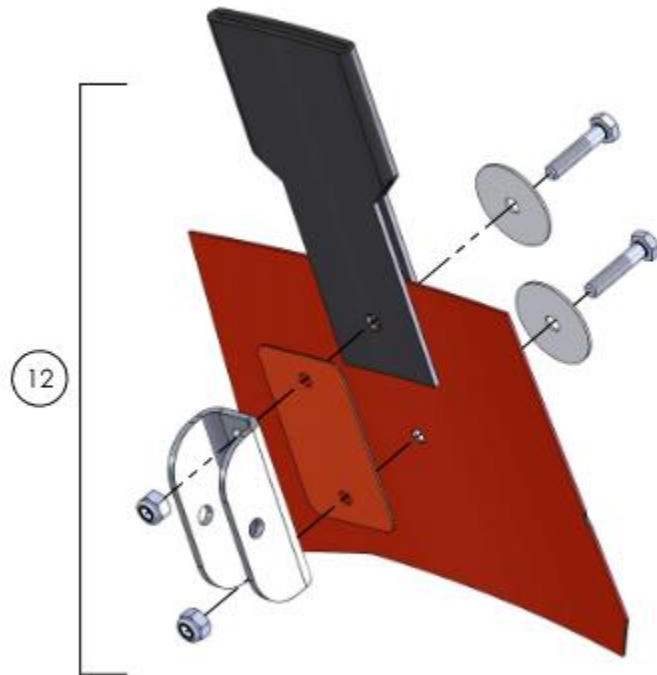
Bucket Shell (continued)



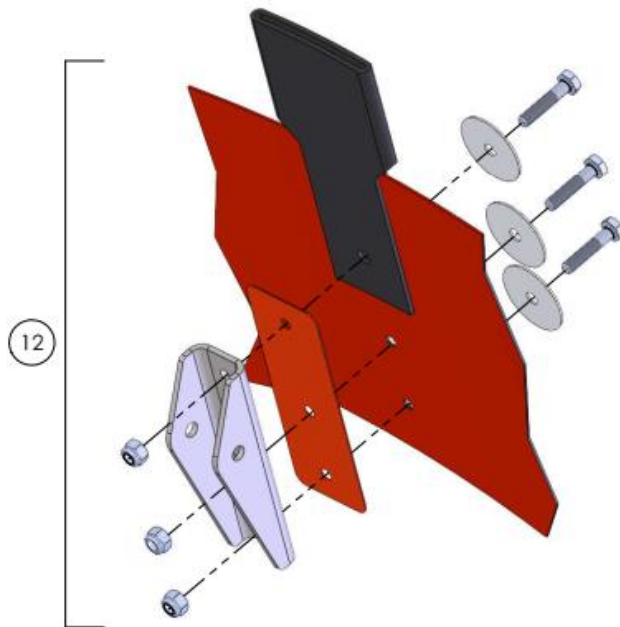
ITEM	MODEL	PART #	DESCRIPTION	QTY	
11	BB5566	005512	STRAP, CINCH, ASSY	1	
	BB680K				
	BB6578	005513			
	BB7590	005514			
11A	BB5566	005500	STRAP, CINCH, EXTERNAL, 217"	1	
	BB680K				
	BB6578	005501			STRAP, CINCH, EXTERNAL, 221"
	BB7590	005502			STRAP, CINCH, EXTERNAL, 230"
11B	BB5566	007201	BRACKET, CINCH, ASSY	16	
	BB680K				
	BB6578			20	
	BB7590				

Section 9: Specifications and Parts

Bucket Shell (continued) (Models 5566-680K)



Bucket Shell (continued) (Models 6578-7590)



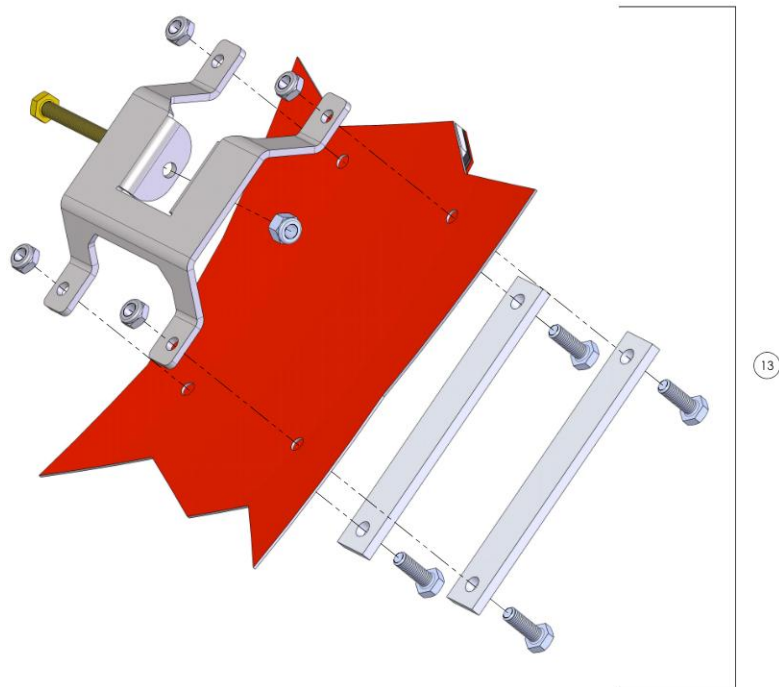
Section 9: Specifications and Parts

Bucket Shell (continued)

ITEM	MODEL	PART #	DESCRIPTION	QTY
12	BB5566	014908	BRACKET, SHELL, ASSY	8
	BB680K			
	BB6578	014909		10
	BB7590			

Section 9: Specifications and Parts

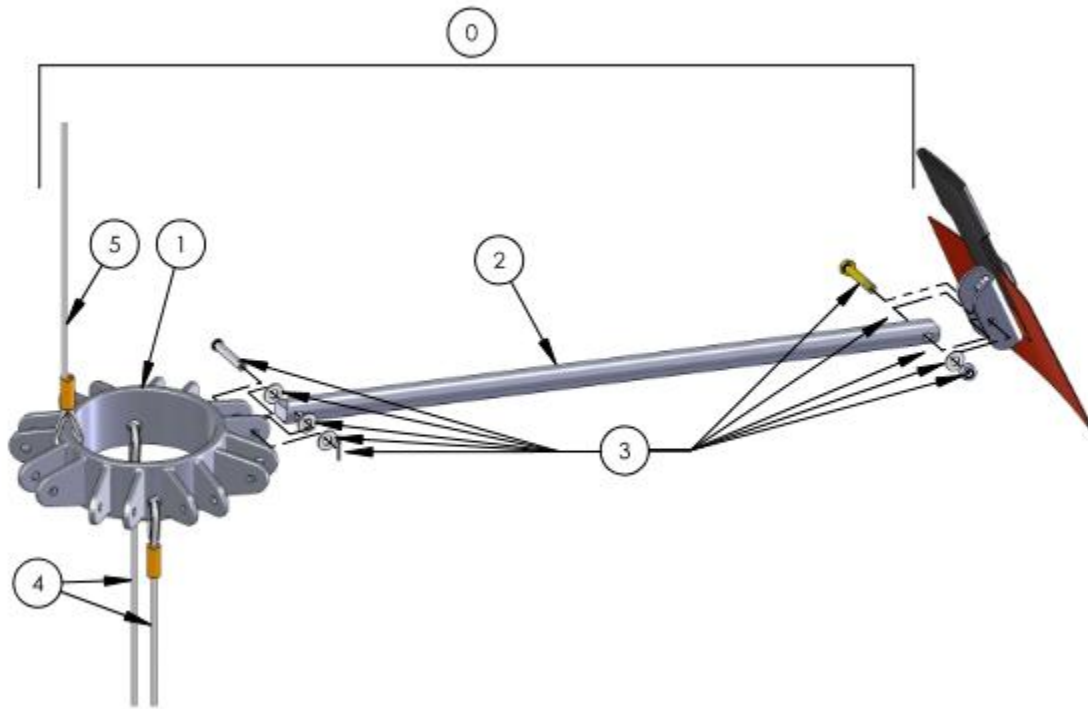
Bucket Shell (continued)



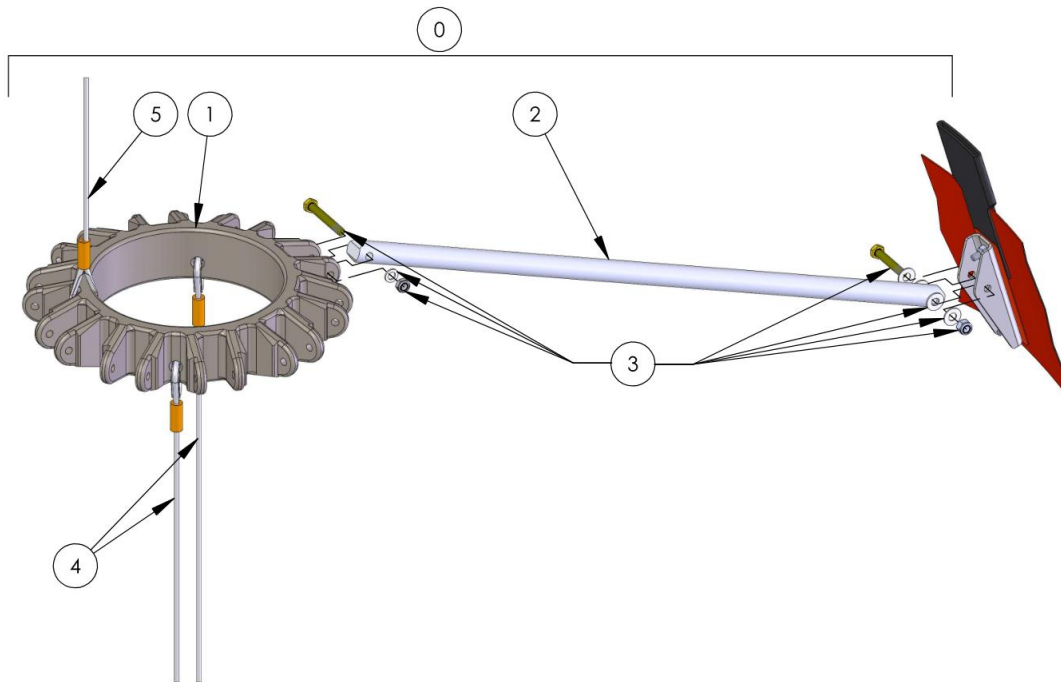
ITEM	MODEL	PART #	DESCRIPTION	QTY
13	BB5566	007637	BRACKET, RESTRAINER, ASSY	2
	BB680K			
	BB6578			
	BB7590			

Section 9: Specifications and Parts

IDS System (Models 5566-680K)



IDS System (Models 6578-7590)



Section 9: Specifications and Parts

IDS System (continued)

ITEM	MODEL	PART #	DESCRIPTION	QTY
0	BB5566	005403	IDS, ASSY	1
	BB680K	005404		
	BB6578	005405		
	BB7590	005406		
1	BB5566	005378	HUB/CABLE, ASSY	1
	BB680K	007236		
	BB6578	016803		
	BB7590	007226		
2	BB5566	005348	SPOKE, SOLID, 27-1/8"	8
	BB680K	005349	SPOKE, SOLID, 27-7/8"	
	BB6578	005350	SPOKE, SOLID, 28"	10
	BB7590	005351	SPOKE, SOLID, 27-3/8"	
3	BB5566	018582	HARDWARE, SPOKE, KIT	8
	BB680K			
	BB6578	018513		10
	BB7590	014923		
4	BB5566	010921	CABLE, IDS, RESTRAINER, W/SHACKLE	2
	BB680K	010928		
	BB6578	015312		
	BB7590	010922		
5	BB5566	010900	CABLE, IDS, DEPLOYMENT, W/SHACKLE	1
	BB680K			
	BB6578	010901		
	BB7590	010903		

Section 9: Specifications and Parts

Carry Bags

MODEL	PART #	DESCRIPTION
BB5566	005603	BAG, CARRY, BAMBI
BB680K		
BB6578	005601	
BB7590		

Spares Kits

MODEL	PART #	DESCRIPTION	CONTENTS
BB5566	019906	SPARES, BAMBI, KIT	SOLENOID, W/HARDWARE (1)
BB680K			REEL, SPRING, HD (1)
BB6578			TRIPLINE, FLEX (1)
BB7590			VALVE, DUMP, ASSY (1)

Shell Repair Supplies

MODEL	PART #	DESCRIPTION
ALL	003613	KIT, REPAIR, SHELL
	018339	PATCH, FABRIC, 8"x10"
	014858	PATCH, FABRIC, BULK, 24"x68"
	004502	CLAMP, REPAIR, SMALL
	004503	CLAMP, REPAIR, MEDIUM
	004504	CLAMP, REPAIR, LARGE
	003090	ADHESIVE, AQUASEAL, ¾ OZ
	003091	ADHESIVE, AQUASEAL, 8 OZ

Section 10: Drawings

Pilot Controls

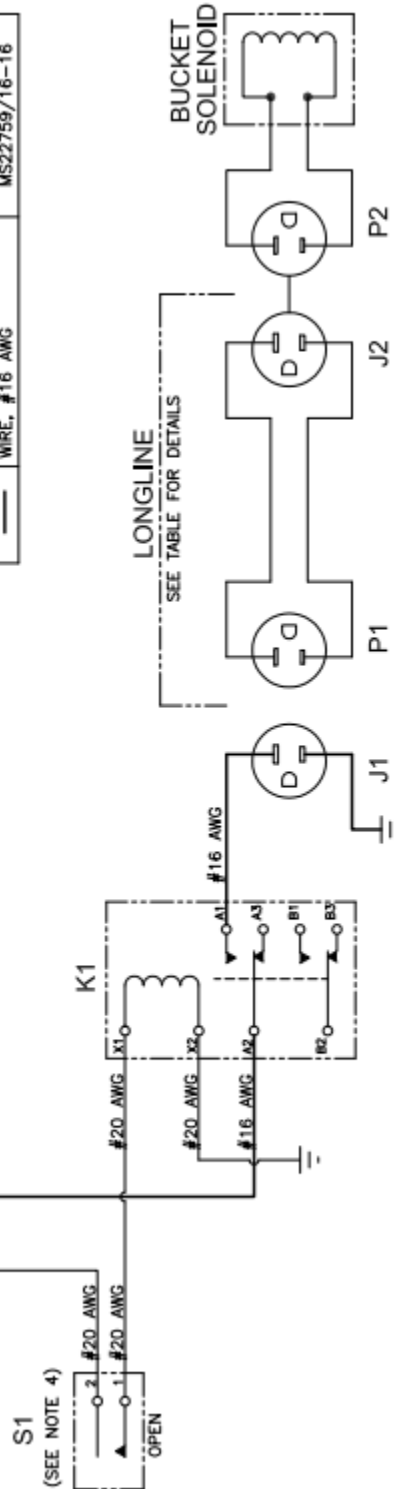
RECOMMENDED COMPONENTS

ITEM	DESCRIPTION	SPECIFICATION
CB1	CIRCUIT BREAKER, 1A	MS22073-1
CB2	CIRCUIT BREAKER, 10A	MS22073-10
K1	RELAY, DPDT, 10A	MS24149
S1	SWITCH, SPST, MOMENTARY	MS24523-28
J1	CONNECTOR, RECEPTACLE	MS3101E-24-11S
P1	CONNECTOR, PLUG	MS3107B-24-11P
J2,J3	CONNECTOR, RECEPTACLE	NEMA 5-15R
P2,P3	CONNECTOR, PLUG	NEMA 5-15P
—	WIRE, #20 AWG	MS22759/16-20
—	WIRE, #16 AWG	MS22759/16-16

LONGLINE DETAILS

LENGTH	GAUGE	TYPE
50 FT	#14 AWG	14/2 SOW
75 FT	#14 AWG	14/2 SOW
100 FT	#14 AWG	14/2 SOW
125 FT	#12 AWG	12/2 SOW
150 FT	#12 AWG	12/2 SOW
200 FT	#12 AWG	12/2 SOW

28 VDC
NON-ESSENTIAL
BUS
(SEE NOTE 2)



NOTES:

1. THESE ARE RECOMMENDED INSTALLATION INSTRUCTIONS ONLY. ALL INSTALLATIONS TO BE DONE BY QUALIFIED PERSONNEL IN ACCORDANCE WITH APPLICABLE LOCAL REGULATIONS.
2. CONNECTION TO AIRCRAFT POWER SUPPLY DONE IN ACCORDANCE WITH LOCAL REGULATIONS. DO NOT CONNECT THE BAMBİ SYSTEM TO ANY AIRCRAFT BUS BAR THAT IS USED FOR EMERGENCY OR ESSENTIAL LOADS. AMEND THE AIRCRAFT ELECTRICAL LOAD ANALYSIS TO ENSURE THAT THE GENERATOR CAPACITY IS ADEQUATE TO OPERATE THE SYSTEM.
3. ALL GROUNDS, SOLDERED TERMINALS, AND CRIMPED TERMINALS DONE IN ACCORDANCE WITH AIRCRAFT MANUFACTURERS INSTRUCTIONS.
4. CONSULT LOCAL CONTRACT REGULATIONS FOR LOCATION OF THE ACTUATION SWITCH.

Section 10: Drawings

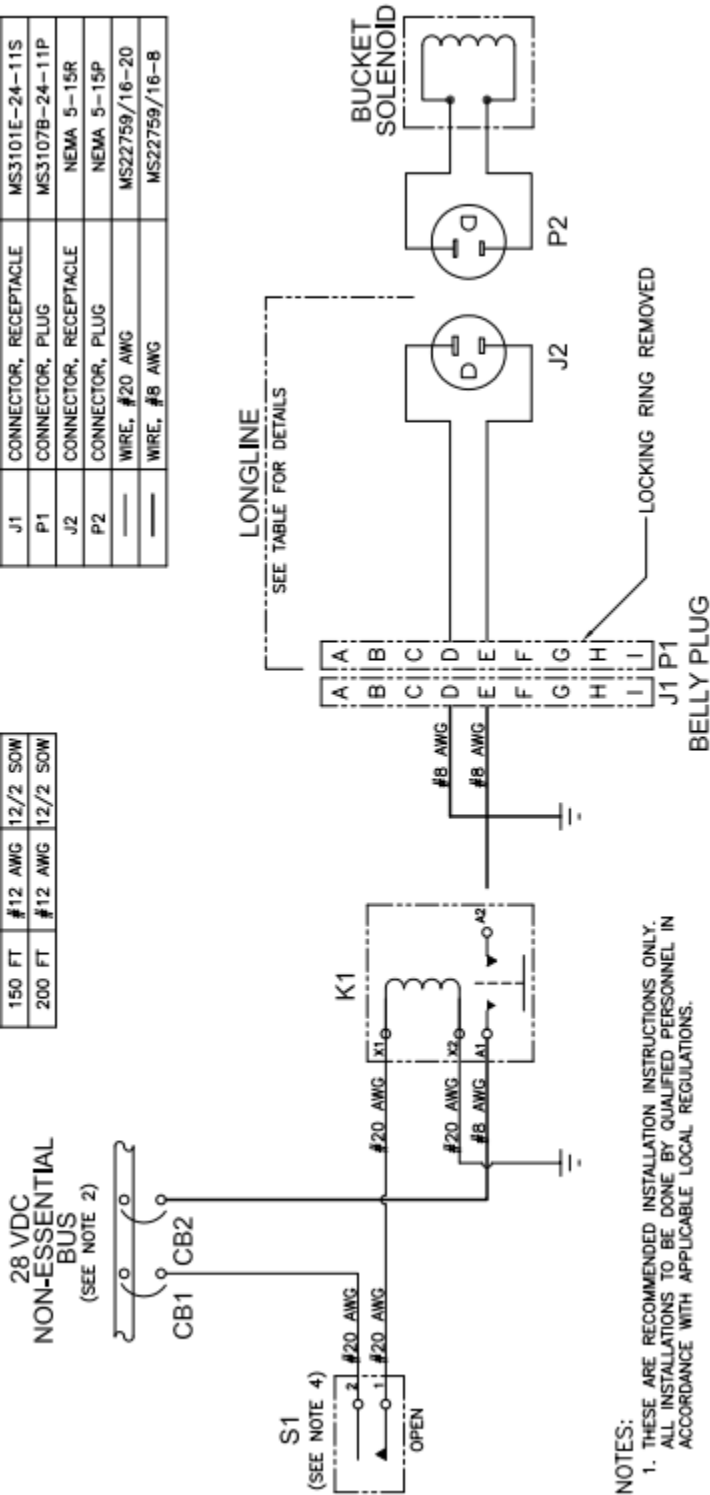
Pilot Controls, US InterAgency

RECOMMENDED COMPONENTS

ITEM	DESCRIPTION	SPECIFICATION
CB1	CIRCUIT BREAKER, 1A	MS22073-1
CB2	CIRCUIT BREAKER, 50A	MS24571-50
K1	RELAY, SPST, 50A	MS24166-D1
S1	SWITCH, SPST, MOMENTARY	MS24523-28
J1	CONNECTOR, RECEPTACLE	MS3101E-24-11S
P1	CONNECTOR, PLUG	MS3107B-24-11P
J2	CONNECTOR, RECEPTACLE	NEMA 5-15R
P2	CONNECTOR, PLUG	NEMA 5-15P
—	WIRE, #20 AWG	MS22759/16-20
—	WIRE, #8 AWG	MS22759/16-8

LONGLINE DETAILS

LENGTH	GAUGE	TYPE
50 FT	#14 AWG	14/2 SOW
75 FT	#14 AWG	14/2 SOW
100 FT	#14 AWG	14/2 SOW
125 FT	#12 AWG	12/2 SOW
150 FT	#12 AWG	12/2 SOW
200 FT	#12 AWG	12/2 SOW



- NOTES:
1. THESE ARE RECOMMENDED INSTALLATION INSTRUCTIONS ONLY. ALL INSTALLATIONS TO BE DONE BY QUALIFIED PERSONNEL IN ACCORDANCE WITH APPLICABLE LOCAL REGULATIONS.
 2. CONNECTION TO AIRCRAFT POWER SUPPLY DONE IN ACCORDANCE WITH FAA ADVISORY CIRCULAR AC43.13-1B AND AC43.13-2A. DO NOT CONNECT THE BAMBİ SYSTEM TO ANY AIRCRAFT BUS BAR THAT IS USED FOR EMERGENCY OR ESSENTIAL LOADS. AMMEND THE AIRCRAFT ELECTRICAL LOAD ANALYSIS TO ENSURE THAT THE GENERATOR CAPACITY IS ADEQUATE TO OPERATE THE SYSTEM.
 3. ALL GROUNDS, SOLDERED TERMINALS, AND CRIMPED TERMINALS DONE IN ACCORDANCE WITH AIRCRAFT MANUFACTURERS INSTRUCTIONS.
 4. ACTUATION SWITCH MOUNTED ON THE COLLECTIVE PITCH LEVER. SWITCH MARKED "OPEN" AND SPRING-LOADED TO THE OFF POSITION.

Section 10: Drawings

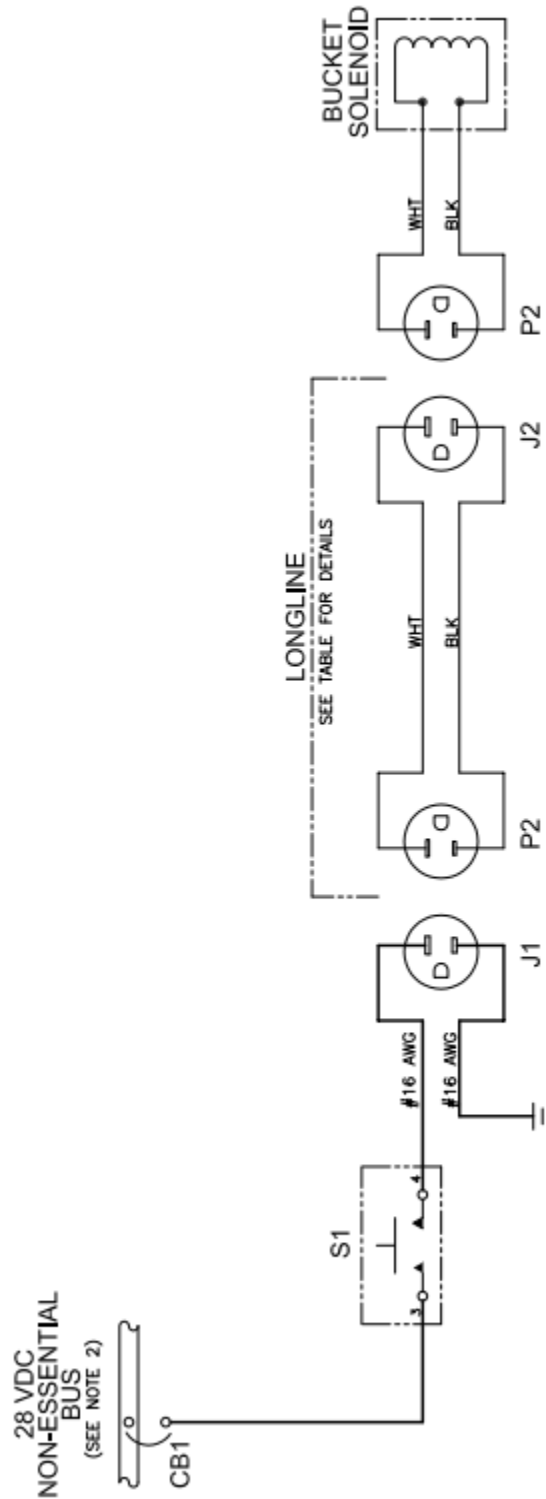
Crew Controls

LONGLINE DETAILS

LENGTH	GAUGE	TYPE
50 FT	#14 AWG	14/2 SOW
75 FT	#14 AWG	14/2 SOW
100 FT	#14 AWG	14/2 SOW
125 FT	#12 AWG	12/2 SOW
150 FT	#12 AWG	12/2 SOW
200 FT	#12 AWG	12/2 SOW

RECOMMENDED COMPONENTS

ITEM	DESCRIPTION	SPECIFICATION
CB1	CIRCUIT BREAKER, 10A	MS22073-10
S1	SWITCH, SPST, MOMENTARY	MS16712-1
J1,J2	CONNECTOR, RECEPTACLE	NEMA 5-15R
P1,P2	CONNECTOR, PLUG	NEMA 5-15P
---	WIRE, #16 AWG	MS22759/16-16



NOTES:

1. THESE ARE RECOMMENDED INSTALLATION INSTRUCTIONS ONLY. ALL INSTALLATIONS TO BE DONE BY QUALIFIED PERSONNEL IN ACCORDANCE WITH APPLICABLE LOCAL REGULATIONS.
2. CONNECTION TO AIRCRAFT POWER SUPPLY DONE IN ACCORDANCE WITH FAA ADVISORY CIRCULAR AC43.13-1B AND AC43.13-2A. DO NOT CONNECT THE BAMBİ SYSTEM TO ANY AIRCRAFT BUS BAR THAT IS USED FOR EMERGENCY OR ESSENTIAL LOADS. AMMEND THE AIRCRAFT ELECTRICAL LOAD ANALYSIS TO ENSURE THAT THE GENERATOR CAPACITY IS ADEQUATE TO OPERATE THE SYSTEM.
3. ALL GROUNDS, SOLDERED TERMINALS, AND CRIMPED TERMINALS DONE IN ACCORDANCE WITH AIRCRAFT MANUFACTURERS INSTRUCTIONS.

Section 10: Drawings

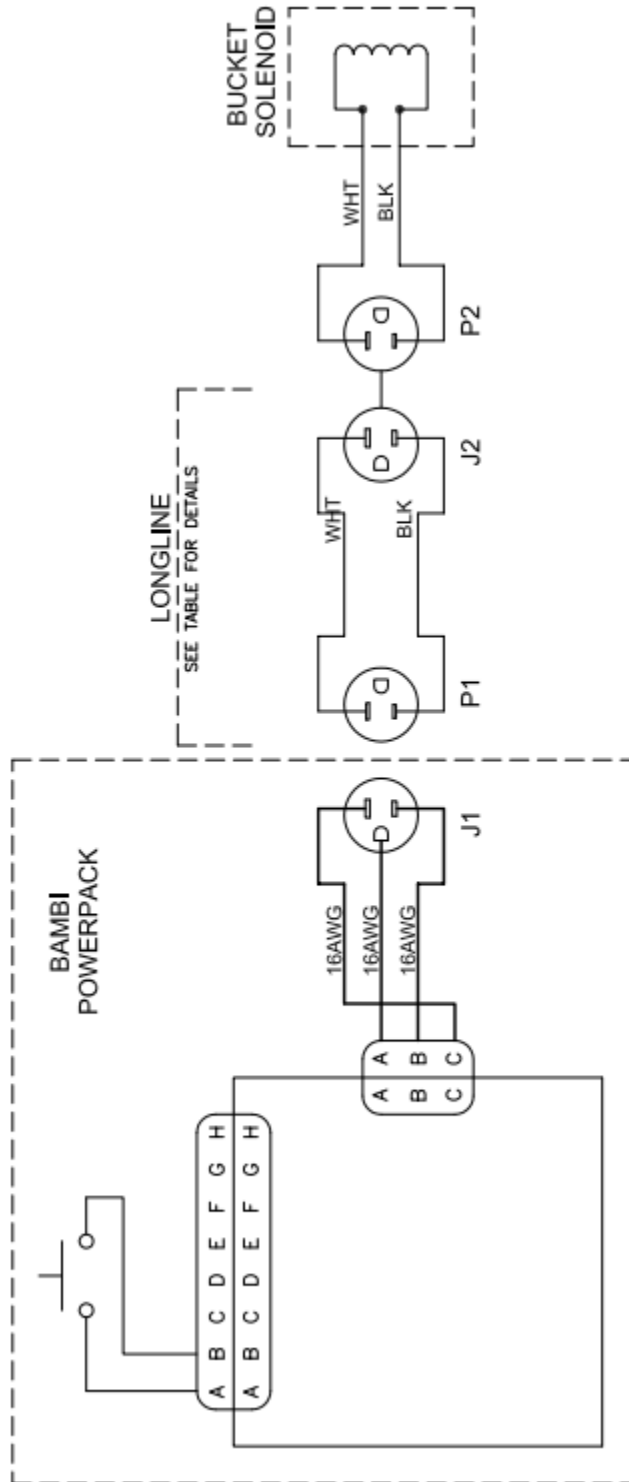
Crew Controls – External Power Supply

RECOMMENDED COMPONENTS

ITEM	DESCRIPTION	SPECIFICATION
J1,J2	CONNECTOR, RECEPTACLE	NEMA 5-15R
P1,P2	CONNECTOR, PLUG	NEMA 5-15P
—	WIRE, #20 AWG	MS22759/16-20
—	WIRE, #16 AWG	MS22759/16-16

LONGLINE DETAILS

LENGTH	GAUGE	TYPE
50 FT	#14 AWG	14/2 SOW
75 FT	#14 AWG	14/2 SOW
100 FT	#14 AWG	14/2 SOW
125 FT	#12 AWG	12/2 SOW
150 FT	#12 AWG	12/2 SOW
200 FT	#12 AWG	12/2 SOW



NOTES:

1. THESE ARE RECOMMENDED INSTALLATION INSTRUCTIONS ONLY. ALL INSTALLATIONS TO BE DONE BY QUALIFIED PERSONNEL IN ACCORDANCE WITH APPLICABLE LOCAL REGULATIONS.
2. ALL GROUNDS, SOLDERED TERMINALS, AND CRIMPED TERMINALS DONE IN ACCORDANCE WITH AIRCRAFT MANUFACTURERS' INSTRUCTIONS.

Section 11: Warranty

Section 11: Warranty

SEI Industries Ltd. is an affiliate of Dart Aerospace:

- a) Limited Warranty on Products and Services can be found at <https://dartaerospace.com/pages/dart-warranty-return-policy>