



**SEI**  
INDUSTRIES



**Bambi**  
**BUCKET**<sup>®</sup>  
Driven by Innovation



**BAMBI MAX BUCKET**  
OPERATIONS MANUAL  
2020B



# **BAMBI MAX BUCKET OPERATIONS MANUAL**

**Version: 2020B  
Part Number: 008904**

## **PLEASE READ BEFORE USING.**

**This manual is applicable to the following models:**

BBX1518 (# 007898)	BBX5566PF (# 007907)
BBX1518S (# 013517)	BBX6578 (# 007908)
BBX1821 (# 007899)	BBX6578PF (# 007909)
BBX1821S (# 013518)	BBX7590 (# 007910)
BBX2024 (# 007900)	BBX7590PF (# 007911)
BBX2024S (# 013519)	BBXHL4000 (# 007912)
BBX2226 (# 007901)	BBXHL4000PF (# 007913)
BBX2732 (# 007902)	BBXHL5000 (# 007914)
BBX2732S (# 013520)	BBXHL5000PF (# 007915)
BBX3542 (# 007903)	BBXHL7600 (# 007916)
BBX4453 (# 007904)	BBXHL7600PF (# 007917)
BBX4453PF (# 007905)	BBXHL9800 (# 007918)
BBX5566 (# 007906)	BBXHL9800PF (# 007919)

### **PATENTS**

AU2012201273  
CA2770005  
US9265977

Copies of this manual (#008904) are available from SEI.

This manual is available on the SEI website.

Register for manual update notifications at [bambiupdate@sei-ind.com](mailto:bambiupdate@sei-ind.com)

### **SEI INDUSTRIES LTD.**

7400 Wilson Avenue  
Delta, B.C. Canada  
V4G 1H3

Phone: (604) 946-3131  
Fax: (604) 940-9566  
E-Mail: [seisales@sei-ind.com](mailto:seisales@sei-ind.com)  
Website: [www.bambibucket.com](http://www.bambibucket.com)

# Revision Summary

Version	Release Date	Revision Description
2020A	21-Jan-2020	<ul style="list-style-type: none"><li>• General Revision</li></ul>
2020B	25-Nov-2020	<ul style="list-style-type: none"><li>• General Revision</li><li>• BBX4453 Length Increased</li></ul>

# Table of Contents

<b>Section 1: Introduction</b> .....	<b>1</b>
<b>Section 2: Preflight Safety Check</b> .....	<b>3</b>
Safety Checklist .....	3
<b>Section 3: Deploying the Bucket</b> .....	<b>5</b>
Attaching to the Cargo Hook .....	5
Connecting Power.....	5
Checking Tail Rotor Clearance.....	6
Instant Deployment System (IDS) .....	7
<b>Section 4: Flight Operations</b> .....	<b>9</b>
Flying the Bucket.....	9
Filling the Bucket.....	10
Dumping the Bucket .....	11
Landing .....	11
<b>Section 5: Using Accessories</b> .....	<b>13</b>
PowerFill.....	13
Foam Injection Systems .....	16
Power Pack.....	17
Mobility Sled .....	17
Marine Recovery Device .....	17
<b>Section 6: Packing and Storage</b> .....	<b>19</b>
Packing the Bucket .....	19
Storing the Bucket.....	22
<b>Section 7: Specifications</b> .....	<b>23</b>
Capacity and Weight Specifications .....	23
<b>Section 8: Warranty</b> .....	<b>25</b>

**THIS PAGE INTENTIONALLY LEFT BLANK**

## Section 1: Introduction

---

# Section 1: Introduction

The Bambi MAX Bucket (Bambi MAX) is a collapsible firefighting bucket with a multiple drop valve. The multiple drop capability allows an operator to split the bucket load over several locations. It also allows the operator to adjust the amount of water carried in the bucket to match the lifting capability of the aircraft throughout its fuel cycle.

The operation of the Bambi MAX Bucket can be quickly mastered with no previous experience and the bucket requires no pre-assembly.

This manual provides helicopter operators with information on the operation of the Bambi MAX Bucket as well as the PowerFill Snorkel and PowerFill MAX systems. For service and maintenance information, please refer to the separate service manual for your specific bucket model number.

Please read this manual prior to flying the bucket, particularly the sections on deploying, filling and dumping. For your own protection, and for longer bucket life, always read the cautions and warnings. Ignoring these could result in personal injury, bucket damage or aircraft damage.

SEI Industries Ltd. offers complete parts supply and repair services for the Bambi MAX Bucket. For a repair facility in your area, please contact SEI. For maintenance and repair purposes, parts diagrams and descriptions are provided in a separate service manual which is specific to your model.

When you are ordering parts, please provide the model and serial number of your Bambi MAX Bucket as shown on the data tags located inside the bucket shell.



**THIS PAGE INTENTIONALLY LEFT BLANK**

# Section 2: Preflight Safety Check

## Safety Checklist

Along with the aircraft, the Bambi MAX Bucket should also receive a preflight inspection each day. Follow the checklist below, beginning at the bottom of the bucket and working upwards.

1. Check the bottom chain looking for any tears in the fabric straps. Also, check the lock wire or tie wraps on the shackles.
2. Check for loose bolts around the bucket shell; IDS brackets at the top, the wear strips at the bottom and bottom rings.
3. Check the diagonal M-straps that connect the suspension cables to the top of the bucket, looking for signs of wear or incorrect suspension line connections.
4. Check the suspension cables for frays, kinks or loose swages.
5. Check that the ballast is securely attached. Full ballast is essential for safe operations.
6. Check the head for secure shackles.
7. Once the Bambi MAX is hooked-up to 28 V power, activate the valve several times to ensure that the hook-up is correct.
8. If a PowerFill system is installed, inspect the conductor wires for damage, chafing or wear. Confirm that the conductor cables are firmly secured.
  - For external PowerFill Snorkel, the wires should be attached to the nearest suspension line.
  - For internal PowerFill MAX, check that the cable sleeve is securely anchored to the valve and head, and that the cables have sufficient slack at both ends.
  - If a long line is used, the wires should be attached to this line also.

### CAUTION

Do not operate with damaged cables. Damage to an electrical cable, that leaves the conductor exposed, can result in a fire if it comes in contact with another conductor or metal object.

9. Inspect the cable connectors for damage and ensure proper connections.
10. With power on, check the function of the pumps by pressing the pump's ON button for four or five seconds.
  - The pump should turn on and run for the period the button is held. The pump will be audible within a few feet of the bucket.
  - Listen for abnormal noises that are not consistent with smooth operation. If you are operating in a noisy environment, you can confirm that the pump is running by holding your hand on the top of the filter screen.
  - You may also see the shell move each time you activate the switch.



## Section 2: Preflight Safety Check

---

### CAUTION

Do not put your fingers or other objects into the pump impeller while the pump is running. Personal injury or damage to the pump can occur.

11. Check the filter screen for debris accumulation and clear as necessary.
12. Check the filter screen for signs of damage that may affect water flow.
13. Repair any damage to the components above before operating.

## Section 3: Deploying the Bucket

# Section 3: Deploying the Bucket

## Attaching to the Cargo Hook

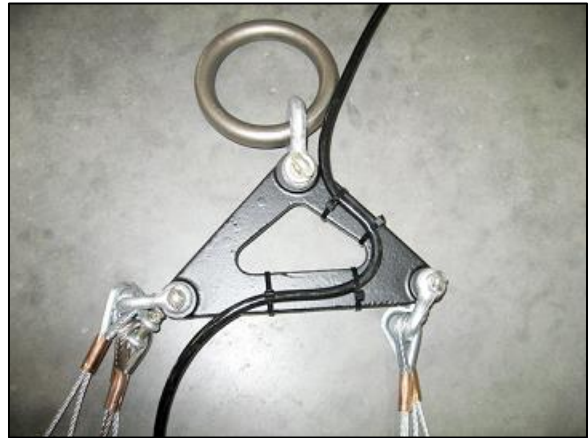
Correct attachment of the head is indicated when the ballast on the bucket faces forward in flight which will avoid twisting of the suspension lines. If using a swivel hook, it is recommended to operate in the locked position to assure that the ballast is always facing forward in flight.

### CAUTION

The Bambi MAX Bucket may not be suitable for a direct hook-up to the cargo hook. The actual hook-up will be different for various aircraft and operators must comply with all instructions and bulletins supplied by the aircraft manufacturer. It is the operator's responsibility to ensure that the Bambi MAX Bucket is correctly fitted to the helicopter.

The Bambi MAX Bucket is rigged for a longitudinal cargo hook. The top shackle on the head acts as the secondary ring for the cargo hook. The operator must supply a primary ring in accordance with the cargo hook manufacturer's recommendations.

If the helicopter has a lateral cargo hook, an additional ring or shackle will be required between the top shackle and the primary ring to rotate the bucket 90°.



### WARNING

Ensure that all rings and shackles are rated with a minimum safety factor of five for the gross weight of the bucket as shown on the data plate.

## Connecting Power

The Bambi MAX Bucket's electrical supply is connected through a breakaway plug. The purpose of the plug is to offer a clean "breakaway" if the Bambi MAX has to be jettisoned from the aircraft in an emergency. If the control cable is not secured to the longline, duct tape should be wrapped every 24-36" to prevent any damage to the cable.

## Section 3: Deploying the Bucket

### Checking Tail Rotor Clearance

#### WARNING

Using a Bambi MAX Bucket with insufficient tail rotor clearance could result in a tail rotor strike which could result in serious injury or death.

#### NOTICE

If using a longline, the minimum recommended length is 50 ft (15 m).

When a Bambi MAX Bucket is attached directly to the helicopter cargo hook or attached using a longline less than 50 ft (15 m) in length, it is important to confirm that there is adequate tail rotor clearance. Before using the Bambi MAX Bucket, check the tail rotor clearance.

1. Determine the tail rotor length by measuring the distance from the cargo hook to the closest point on the helicopter tail rotor.
2. Determine the bucket overall length from the following chart:

Model	Overall Length			
	No PowerFill		With PowerFill MAX	
BBX1518	13'-3"	4.05 m	Not Applicable	
BBX1518S	11'-9"	3.58 m		
BBX1821	13'-6"	4.10 m		
BBX1821S	11'-11"	3.64 m		
BBX2024	17'-8"	5.39 m		
BBX2024S	13'-5"	4.09 m		
BBX2226	13'-6"	4.11 m		
BBX2732	20'-7"	6.27 m		
BBX2732S	12'-9"	3.90 m		
BBX3542	21'-3"	6.48 m		
BBX4453	21'-8"	6.60 m	22'-2"	6.76 m
BBX5566	21'-5"	6.53 m	21'-11"	6.68 m
BBX6578	21'-8"	6.60 m	22'-2"	6.76 m
BBX7590	27'-11"	8.51 m	28'-5"	8.66 m
BBXHL4000	27'-9"	8.46 m	28'-3"	8.61 m
BBXHL5000	29'-3"	8.92 m	29'-9"	9.07 m
BBXHL7600	30'-8"	9.35 m	31'-2"	9.50 m
BBXHL9800	31'-5"	9.58 m	31'-11"	9.73 m

*Lengths are accurate to within 1%. Specifications subject to change.*

To confirm the bucket overall length, stretch out the bucket on the ground, pulling the suspension cables taut. Measure the distance from the shackle on the head to the bottom of the shell.

### Section 3: Deploying the Bucket

---

3. The tail rotor clearance is equal to the tail rotor length minus the bucket overall length.
4. **The tail rotor clearance must be a minimum of 6” (0.15 m).**

If the tail rotor clearance is insufficient, shorter suspension lines and deployment lines must be used and can be ordered from SEI. Please specify the model and serial number when ordering parts.

### Instant Deployment System (IDS)

The instant deployment system uses a hub and spoke mechanism to automatically expand the mouth of the bucket as soon as the weight of the Bambi MAX Bucket is taken up by the suspension cables.

When the bucket is full, the IDS deployment cable and hub restrainer cables should be slack as they should not bear any load. Their function is to position the hub and spoke mechanism to hold the bucket open.



To deploy the IDS on the ground, reach into the bucket, grasp the hub of the IDS and pull outward fully until the two restraining cables from the hub to the lower bucket shell are tight.

The IDS restraining cables are set at the factory and normally should not require any adjustment.



**THIS PAGE INTENTIONALLY LEFT BLANK**

# Section 4: Flight Operations

The operation of the Bambi MAX Bucket can be quickly mastered by operators with no previous experience. Once airborne, the operator can easily become familiar with the flight characteristics of the bucket. Several test fills will also provide familiarity with the variable filling and dumping capabilities of the bucket.

## Flying the Bucket

The Bambi MAX Bucket should be flown in accordance with the United States Forest Service recommendations limiting all helicopters, other than tandem rotor, to a maximum 80 KIAS while conducting external cargo hook operations.

The recommended never exceed speed (VNE) for the Bambi MAX Bucket is 80 KIAS, however, this is not a flight manual limitation. Speeds above 80 KIAS should be approached with caution and any decision to exceed this speed should be based on flight characteristics, aircraft flight manual limitations, aircraft/bucket configuration and load stability, etc.

Any change that exceeds this recommendation should be formally authorized in your company's external load specifications. A suggested flight procedure is to build up speed slowly with the Bambi MAX Bucket, under prevailing conditions, to determine a safe maximum flying speed.

Flying a Bambi MAX Bucket with the PowerFill system will not adversely affect the flight characteristics of the bucket.

The dead weight of the load ensures different handling characteristics than when flying empty. As a result, the Bambi MAX Bucket does not 'pulse' or 'throb' under load in flight.

### NOTICE

Bambi MAX Buckets can operate in any atmospheric conditions where icing conditions are not present. If icing conditions are encountered during operations, in flight or on the ground, SEI cannot guarantee the reliable operation of the valve actuating mechanisms nor related components.

Operating the Bambi MAX Bucket at 32 °F (0 °C) or below may have adverse effects on the operation of the bucket and to the fabrics used in its manufacture. Please refer to this manual for information related to proper storage.

## Section 4: Flight Operations

### Filling the Bucket

Once the Bambi MAX Bucket touches the water surface, it immediately tips and sinks. This is a result of the ballast on one side of the bucket which makes it unstable on the water. Opening the valve will make the bucket sink faster but it should be closed once it is below the surface.

#### WARNING

When filling the Bambi MAX Bucket, do not execute an abrupt pedal turn with the helicopter close to the water while towing the bucket. There is a danger that the Bambi MAX Bucket suspension lines could get caught on a rear skid resulting in a dynamic rollover on lift out. This could cause personal injury and helicopter damage.

Check the load and suspension cables with your mirrors before lifting out.

To fill the bucket from an open top tank, you will require a tank with a recommended depth as shown in the chart below:

Model*	Bambi Height		Required Tank Height	
BBX1518*	39"	1.00 m	48"	1.22 m
BBX1821*	41"	1.04 m	56"	1.45 m
BBX2024*	43"	1.09 m	58"	1.52 m
BBX2226	44"	1.10 m	60"	1.52 m
BBX2732*	48"	1.22 m	60"	1.52 m
BBX3542	57"	1.45 m	78"	2.04 m
BBX4453	57"	1.45 m	78"	2.04 m
BBX5566	62"	1.57 m	84"	3.05 m
BBX6578	67"	1.70 m	90"	3.05 m
BBX7590	73"	1.85 m	96"	3.05 m
BBXHL4000	75"	1.90 m	96"	3.05 m
BBXHL5000	80"	2.03 m	110"	3.05 m
BBXHL7600	95"	2.41 m	120"	3.05 m
BBXHL9800	106"	2.70 m	120"	3.05 m

*\*Applicable to models of the same size denoted with suffix 'S', e.g., BBX1518S.*

*The table does not apply if you are using a PowerFill system.*

#### Variable Fill Capability

In some situations, elevation and temperature conditions may require the reduction of the bucket load below its nominal capacity. It is also desirable to vary the bucket load as fuel is consumed by the aircraft in order to maximize efficiency.

The Bambi MAX Bucket has a valve system that allows the pilot to vary the bucket load. By pressing and releasing the dump switch as the bucket is being pulled from the water, the bucket weight can be reduced until the desired load is reached as indicated by a load cell or torque gauge. As little as 2% of the water can be shed in this manner.

## Section 4: Flight Operations

---

### Dumping the Bucket

To dump water from the bucket, push and hold the dump switch. As long as the switch is held, water will flow from the bucket. Release the switch to stop the flow of water.

The valve may be opened and closed an unlimited number of times allowing the water load to be split into as many parts as desired.

#### NOTICE

If the valve fails to operate, it may be due to a jammed condition in the bucket which caused the internal motor protection to trip. To reset, turn off the power to the bucket circuit, wait for 10 seconds and then turn the power back on, and attempt to operate the valve. If the problem continues, investigate the cause of the jammed condition.

#### *Dump Pattern*

The dump pattern is affected by height and airspeed. It is most concentrated at lower altitudes and at a hover. The pattern will spread with height and speed. Most operators take advantage of these characteristics to maximize their assault on the fireline.

Make dumps at slower speeds before progressing to faster dumps to get familiar with the flight characteristics, while dumping, from your particular helicopter.

#### WARNING

Ensure that ground personnel are clear from the dumping zone. Failure to do so could result in serious personal injury.

### Landing

The recommended landing procedure is to allow the bucket to touch down ahead of the helicopter and then maintain tension on the suspension lines by backing up slightly. Do not drag the Bambi MAX Bucket over rough surfaces when landing or ground handling. This will damage the bucket shell.

#### NOTICE

When the Bambi MAX Bucket is taken out of daily operation, leave the valve partially open which will extend the life of the seal.

#### NOTICE

After using the bucket in saltwater, wash the bucket with fresh water. The salt can deteriorate the bucket materials if not removed.



**THIS PAGE INTENTIONALLY LEFT BLANK**

# Section 5: Using Accessories

*Accessories are optional. Not supplied with the bucket.*

## PowerFill

PowerFill is a system which allows partial or complete bucket fills from a range of previously inaccessible water sources as shallow as 18" (0.46 m). This includes streams, ponds, and low profile dip tanks. It is available as an externally mounted pump in bucket models 1821 – 3542 and as internally mounted pumps in bucket models 4453 – HL9800.

### PowerFill Snorkel

The PowerFill Snorkel is an externally mounted pump consisting of a flange assembly and a pump assembly. The flange assembly is permanently installed into the bucket and includes a flapper check valve to prevent water from flowing back through the pump when the pump is not running. Multiple flanges can be installed on several buckets to accept the same pump unit.

The pump assembly is connected to the valve assembly with a camlock fitting which allows the pump to be quickly removed for ease of transport.

The pump is driven by a 28 VDC electric motor. The motor, impeller, and housings are contained within a circular steel filter basket which serves to protect the components from impact damage while also acting as a debris screen.



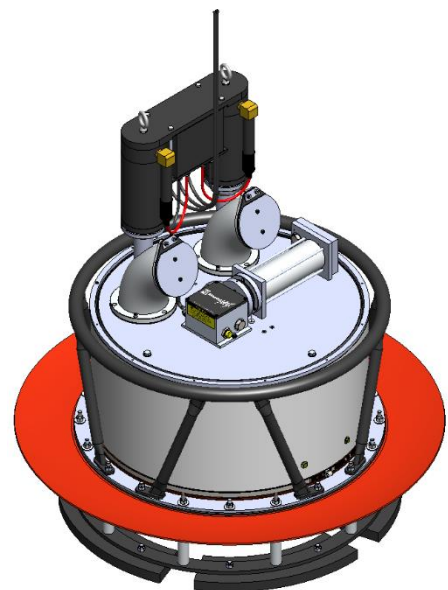
### PowerFill MAX

PowerFill MAX is a system of pumps mounted on the top plate of the Bambi MAX valve. It is available for bucket models 4453 – HL9800.

It consists of two or four pumps depending on the model of the bucket. It can be supplied as original equipment, or it can be added to an existing valve.

The pumps are driven by 28 VDC electric motors. The water inlets for the pumps are located on the underside of the top plate. The inlets have screens to protect the pump impellers from impact damage while also acting as a debris screen.

A stand-off is installed on the bottom of the bucket to keep the pumps clear of any rocks and debris found in the water source. Included is a PowerFill cable sleeve which is anchored to the top plate of the valve, and the head. The sleeve bundles and protects



\*PowerFill cable sleeve not shown

## Section 5: Using Accessories

---

the cables while providing strain relief.

## Section 5: Using Accessories

### Operating PowerFill

To initiate a fill with PowerFill, the pump impeller(s) must be immersed. It may not be possible to fill from water sources less than 18" (0.46 m) deep. The further the bottom of the bucket can be lowered into the water source, the faster the bucket will fill. Where possible, employ a partial dip fill, augmented by the pump, to reduce the total fill time.

#### CAUTION

Do not submerge the bucket to a depth of more than 20 ft (6 m) when performing conventional dip fills with PowerFill systems installed.

Do not operate PowerFill if the bucket is submerged to a depth of 10 ft (3 m) or more.

Operation is accomplished by pressing the fill button for as long as it takes to fill the bucket. Frothing of the water or slow fill rate indicates the pump is not submerged far enough to maintain prime.

#### NOTICE

When using PowerFill MAX, open the valve momentarily when entering the water to release the air captured below the valve. Failure to do so may prevent the pumps from priming.

Once a fill has been started, the bucket will need to be supported by maintaining some tension on the suspension lines, particularly when the bucket is nearly full. If the bucket is not supported, the flexible nature of the bucket shell may allow it to collapse to one side as the water load increases.

Model*	PowerFill	Pumps	Optimal Fill Time
BBX1821*	External Snorkel	1	31s
BBX2024*			34s
BBX2226			37s
BBX2732*			46s
BBX3542			59s
BBX4453PF	Internal MAX	2	37s
BBX5566PF			47s
BBX6578PF			55s
BBX7590PF			64s
BBXH4000PF	Internal MAX	4	37s
BBXH5000PF			47s
BBXH7600PF			71s
BBXH9800PF			91s

*\*Applicable to models of the same size denoted with suffix 'S', e.g., BBX1821S.*

If operating PowerFill in extremely dirty or swampy water sources, more frequent inspections of the pump impeller and screens may be required to maintain optimal function. The pump(s) can be run dry without damage.

## Section 5: Using Accessories

### Foam Injection Systems

Sacksafoam is a foam injection system that uses a pump to dispense a controlled amount of foam concentrate from a reservoir into the water in the bucket. The operation of the Sacksafoam is controlled by the pilot through a control unit, which is mounted in the cockpit. There are two models of Sacksafoam available depending on the location of the foam concentrate reservoir.

#### ***Sacksafoam Bladder***

The Sacksafoam Bladder uses a collapsible reservoir located in the bucket. An internal check valve stops water from flowing into the bladder and ensures that foam is dispensed only while the injection pump is operating. Because the foam in the bladder displaces the water in the bucket, the total gross weight is always constant.

The Sacksafoam bladder interfaces with the Sacksafoam controller. Dispensing can be controlled directly from the controller screen or a remote switch.



#### ***Sacksafoam Heli-Case***

The Sacksafoam Heli-Case is a self-contained unit that can be stowed onboard the helicopter. The foam concentrate is stored in a 20 USG tank inside a large plastic case with provision for an extra 5 USG container. The case is designed to prevent foam from contacting the helicopter.

The Sacksafoam Heli-Case interfaces with the Sacksafoam controller which can be mounted directly in control panel or externally by using the supplied blanking plate and harnesses. Dispensing can be controlled directly from the Sacksafoam controller screen or using the remote control grip.



The Sacksafoam Heli-Case can also interface with the Bambi MAX Bucket, allowing the bucket to be actuated using the trigger on the remote control grip.

#### ***Foam Compatibility***

The Bambi MAX Bucket is designed to be effective with foam. All materials used in the manufacture of the Bambi MAX are resistant to the chemical action of foam.

### NOTICE

After using foam or retardants, cycle through several dumps with water only or hose down with fresh water to prolong the bucket life.

## Section 5: Using Accessories

### Power Pack

The Bambi Power Pack is a 24 V NiMH, compact, portable and rechargeable power supply used in the operation of the Bambi Bucket or Bambi MAX Bucket.

It consists of a battery pack, battery charger, bucket wiring harness, and remote dump switch harness. This remote power supply allows the bucket to be operated independently of the helicopter wiring.



### Mobility Sled

The Bambi Mobility Sled is a cart with wheels that moves larger buckets in hangars, on runways, or around remote sites. The rugged, lightweight two-piece Bambi Mobility Sled allows one person to move a bucket from one location to another. Easy to steer and brake, the three-wheeled cart comes equipped with tow-bar and foam-filled all-terrain 16" tires.



### Marine Recovery Device

The Marine Recovery Device (MRD) is designed to aid in the recovery of a Bambi MAX Bucket lost in a deep water source. When the bucket is released from the cargo hook, the MRD will automatically deploy a float to guide the crew to the exact location of the submerged bucket.

Once the Bambi MAX has been retrieved, the MRD can be repacked, ready for the next mission.



**THIS PAGE INTENTIONALLY LEFT BLANK**

## Section 6: Packing and Storage

### Packing the Bucket

#### NOTICE

Always leave the valve open one to two inches as this prevents the bottom seal from collapsing during long periods of storage, leading to longer seal life.

1. Open the valve 1-2 inches.



2. Collapse the IDS by pushing the hub into the bucket.



3. Grab the head and pull the suspension lines taut. Tape the lines together in two bunches.





## Section 6: Packing and Storage

4. Insert the operations manual into the storage bag.



5. Gather the suspension lines into a coil and stow inside the bucket. Place the head outside of the bucket to prevent the possibility of the lines tangling.



6. Place the head on top of the collapsed bucket.



7. Roll the bucket into a bundle and wrap with straps supplied.



## Section 6: Packing and Storage

8. Rotate shell until head is under the shell.



9. Take the carrying bag and drape it over the bucket.



10. Roll the bucket over and insert the manual.



11. Close with zipper and store with label showing.



## Section 6: Packing and Storage

---

### Storing the Bucket

Prior to storage, wash the bucket with fresh water and dry completely to prevent the growth of mildew and the corrosion of aluminium and steel parts. If the bucket is used in saltwater, or with firefighting foam or retardant, take extra care when cleaning to remove all contaminants. Salt, foam, and retardant can accelerate corrosion and degradation of materials if not removed. If necessary, a mild detergent can be applied to remove stubborn build-up. Store the bucket indoors and out of direct sunlight.

The Bambi MAX Bucket carrying bag makes a suitable shipping container when shipping via airfreight. Because of the compactness of the Bambi MAX, many operators carry it aboard the helicopter at all times during the fire season. This allows for rapid deployment when required.

## Section 7: Specifications

### Capacity and Weight Specifications

Capacities and weights are accurate to within 5%. Specifications are subject to change.

#### CAUTION

The selection of a Bambi MAX Bucket model for a specific aircraft is dependent on many factors including aircraft weight, fuel weight, operation elevation and atmospheric conditions.

The helicopter operator must select a bucket model which is appropriate for their specific situation.

The operator must also ensure that the bucket selected does not pose a tail rotor strike hazard.

#### *Bambi MAX Bucket*

Model	Capacity			Empty Weight		Gross Weight	
	Imp Gal	US Gal	Liters	lb	kg	lb	kg
BBX1518	150	180	680	95	43	1600	720
BBX1518S	150	180	680	95	43	1590	720
BBX1821	180	216	820	105	48	1900	860
BBX1821S	180	216	820	105	47	1900	860
BBX2024	200	240	910	140	63	2140	970
BBX2024S	200	240	910	137	62	2140	970
BBX2226	220	260	1000	138	63	2340	1060
BBX2732	270	320	1230	148	67	2850	1290
BBX2732S	270	320	1230	143	65	2840	1290
BBX3542	350	420	1590	155	70	3660	1660
BBX4453	440	530	2000	230	100	4630	2100
BBX5566	550	660	2500	300	140	5800	2630
BBX6578	650	780	2950	340	150	6840	3100
BBX7590	750	900	3410	370	170	7870	3570
BBXHL4000	880	1060	4000	380	170	9180	4160
BBXHL5000	1100	1320	5000	400	180	11400	5170
BBXHL7600	1670	2010	7600	490	220	17210	7800
BBXHL9800	2160	2590	9800	550	250	22110	10030

## Section 7: Specifications

---

### *Bambi MAX Bucket with PowerFill Snorkel*

Model	Capacity			Empty Weight		Gross Weight	
	Imp Gal	US Gal	Liters	lb	kg	lb	kg
BBX1821	180	216	820	155	70	1950	890
BBX1821S	180	216	820	155	70	1950	890
BBX2024	200	240	910	190	86	2190	990
BBX2024S	200	240	910	187	85	2190	990
BBX2226	220	260	1000	188	85	2390	1080
BBX2732	270	320	1200	198	90	2900	1310
BBX2732S	270	320	1200	193	87	2890	1310
BBX3542	350	420	1600	205	93	3710	1680

### *Bambi MAX Bucket with PowerFill MAX*

Model	Capacity			Empty Weight		Gross Weight	
	Imp Gal	US Gal	Liters	lb	kg	lb	kg
BBX4453PF	440	530	2000	320	140	4720	2140
BBX5566PF	550	660	2500	400	180	5900	2670
BBX6578PF	650	780	2950	440	200	6940	3150
BBX7590PF	750	900	3410	470	210	7970	3610
BBXHL4000PF	880	1060	4000	560	250	9360	4240
BBXHL5000PF	1100	1320	5000	580	260	11570	5250
BBXHL7600PF	1670	2010	7600	670	300	17390	7890
BBXHL9800PF	2160	2590	9800	730	330	22280	10110

## Section 8: Warranty

---

# Section 8: Warranty

SEI Industries Ltd. (the company) agrees to grant a warranty for a period of one year from the date of purchase of Bambi bucket systems on the following conditions:

- a) The company's sole obligation under this warranty is limited to repairing or replacing, at the company's sole discretion, any product shown to be defective.
- b) The company's products are not guaranteed for any specific length of time or measure of service but are warranted only to be free from defects in workmanship and material for a period of one year to the original purchaser.
- c) To the extent allowable under applicable law, the company's liability for consequential and incidental damages is expressly disclaimed. **The company's liability in all events is limited to and shall not exceed, the purchase price paid.**
- d) This warranty is granted to the original purchaser of Bambi bucket systems and does not extend to a subsequent purchaser or assignee.
- e) The company must receive notification in writing of any claims of warranty from the original purchaser which must give details of the claimed defect in the product.
- f) Where the original purchaser is claiming under warranty, the product must be returned to the company for inspection with all transportation and duty charges prepaid.
- g) In the event the original purchaser does not give notice of a warranty claim, within one year of the original purchase of the product, it is understood that the purchaser has waived the claim for warranty and the purchaser and/or any subsequent purchaser must accept the condition of the product, without warranty.
- h) Any technical information supplied by the company regarding the product is not a condition of warranty but rather is information provided by the company to the best of its knowledge.
- i) There are no implied warranties nor is there any warranty that can be assumed from any representation of any person, except the company itself.

### **Exclusions**

- j) The warranty does not cover damage or failures resulting directly or indirectly from accident, abuse, misuse, or any alteration or modification to the product which has not been specifically authorized in writing by the company.
- k) This warranty does not apply to any accessories used with the product that are not supplied by the company and any warranty on such accessories must be requested from the manufacturer or dealer of the accessories.
- l) This warranty is void if the product is not installed, used and/or maintained in accordance with the operations manual supplied by SEI.
- m) All Bambi buckets are designed and manufactured with substantial safety margins. It is the responsibility of the user to ensure that the bucket is maintained to a safe standard.