

Bambi Bucket Sacksafoam Heli-Case Self Contained Foam System

SEI
INDUSTRIES

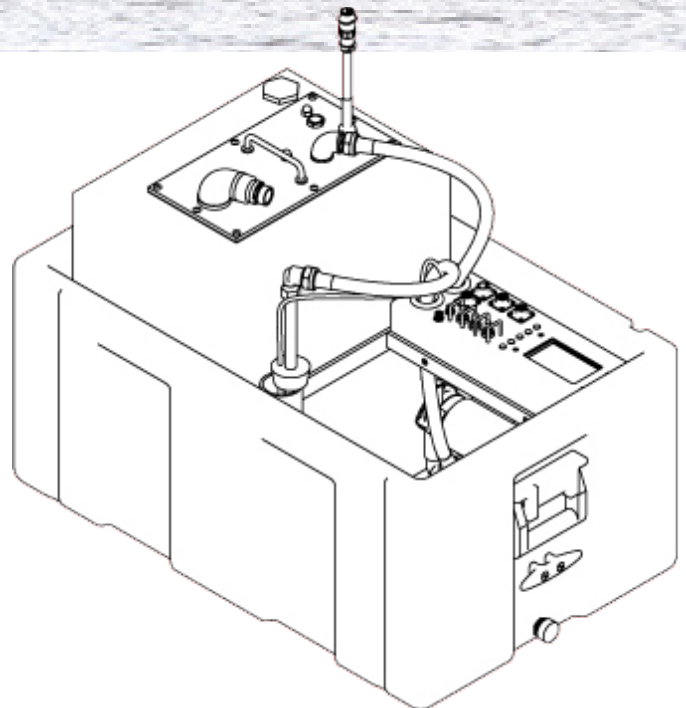


The Sacksafoam™ Heli-Case model is designed for use with larger helicopters that use the Standard Bambi or multi-dump Bambi Buckets. This foam system allows for precise, reliable foam injection to enhance your drop effectiveness on the fireline.

The Sacksafoam™ Plus is a fully enclosed reserve tank for the Heli-Case injection system.

FEATURES

- Self-contained and designed to prevent foam from contacting the helicopter
- Pumps foam concentrate directly from the foam canisters into the Bambi Bucket
- Include a digital controller, wire harness and internal foam reservoir/injector
- Add the Sacksafoam PLUS system for an additional 40 USG (151 L) of foam supply, reducing the need to land and refill (models BB5566 HD to HL9800)



Bambi Bucket Sacksafoam Bladder Bucket Mounted Foam System



The Bambi Bucket is used in more than 110 countries around the world by more than 1,000 helicopter operators.

SACKSAFOAM HELI-CASE SPECIFICATIONS

PART NUMBER	BAMBI BUCKET MODELS	FOAM CONCENTRATE CAPACITY		DIMENSION (L x W x H)		EMPTY WEIGHT		FULL WEIGHT	
		USG	L	STANDARD	METRIC	LB	kg	LB	kg
012743	BB/BBX 2024 – HL5000	25	95	33" x 21" x 26"	840 x 530 x 660	76	34	285	129
004350	Sacksafoam Plus	40	151	33" x 21" x 26"	840 x 530 x 660	-	-	-	-