



Technical Bulletin

Date: September 28th, 2016

Product Line: Bambi

Models: Medium Bambi Max Buckets (4453-7590)

Subject: Bracket added to 25" Bambi Max Valves

Background

SEI will now include a new bracket with all 25" Bambi Max Valves (002299). The bracket is designed to restrain the cable sheathing used for the Bambi Max Powerfill system. Customers that do not have a Powerfill system may also find the bracket useful when removing and installing the valve in the bucket.

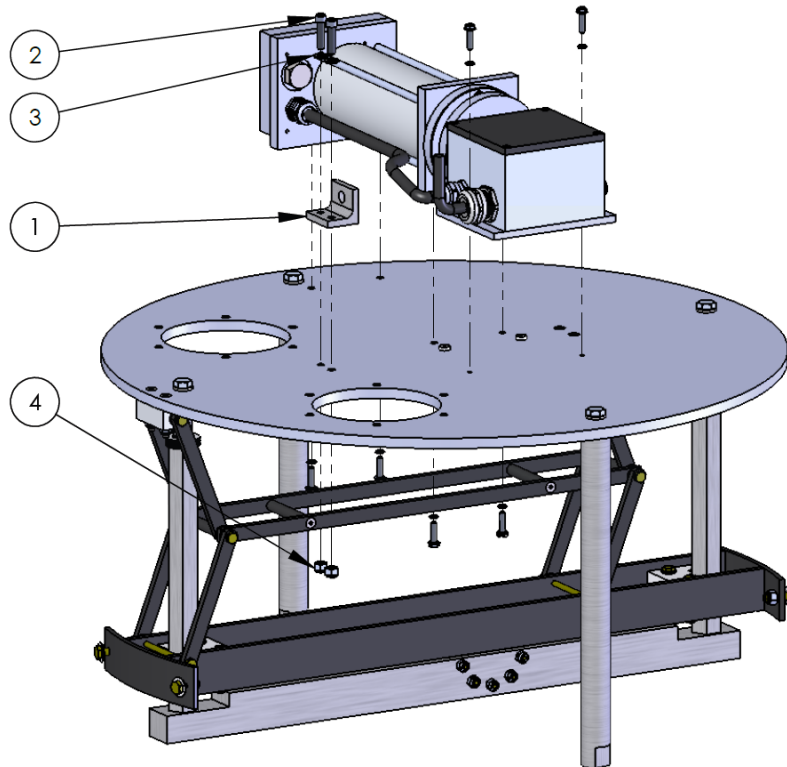
Recommendations

Customers with Bambi Max valves with Powerfill who do not already have this bracket, should contact SEI to receive the bracket and hardware. The bracket is not a required part for Bambi Max customers that do not have a Powerfill system.

ITEM	PART NUMBER	DESCRIPTION	QTY
1	013295	BRACKET,SLEEVE	1
2	011530	SCREW, SC, 1/4-20 x 1, SS	2
3	001852	WASHER, LOCK, SPLIT, 1/4, SS	2
4	001662	NUT, HX, NYL, 1/4-20, SS	2



Bambi
BUCKET
Driven by Innovation



This Technical Bulletin is available on the SEI website. <http://www.sei-ind.com/resources/manuals>

For further details, please contact the following SEI representatives.

Contact

Shawn Bethel
Division Manager, Firefighting Division
604-946-3131 ext. 119
shawn@sei-ind.com

Robert Button
Product Engineer, Firefighting Division
604-946-3131 ext. 423
robert@sei-ind.com